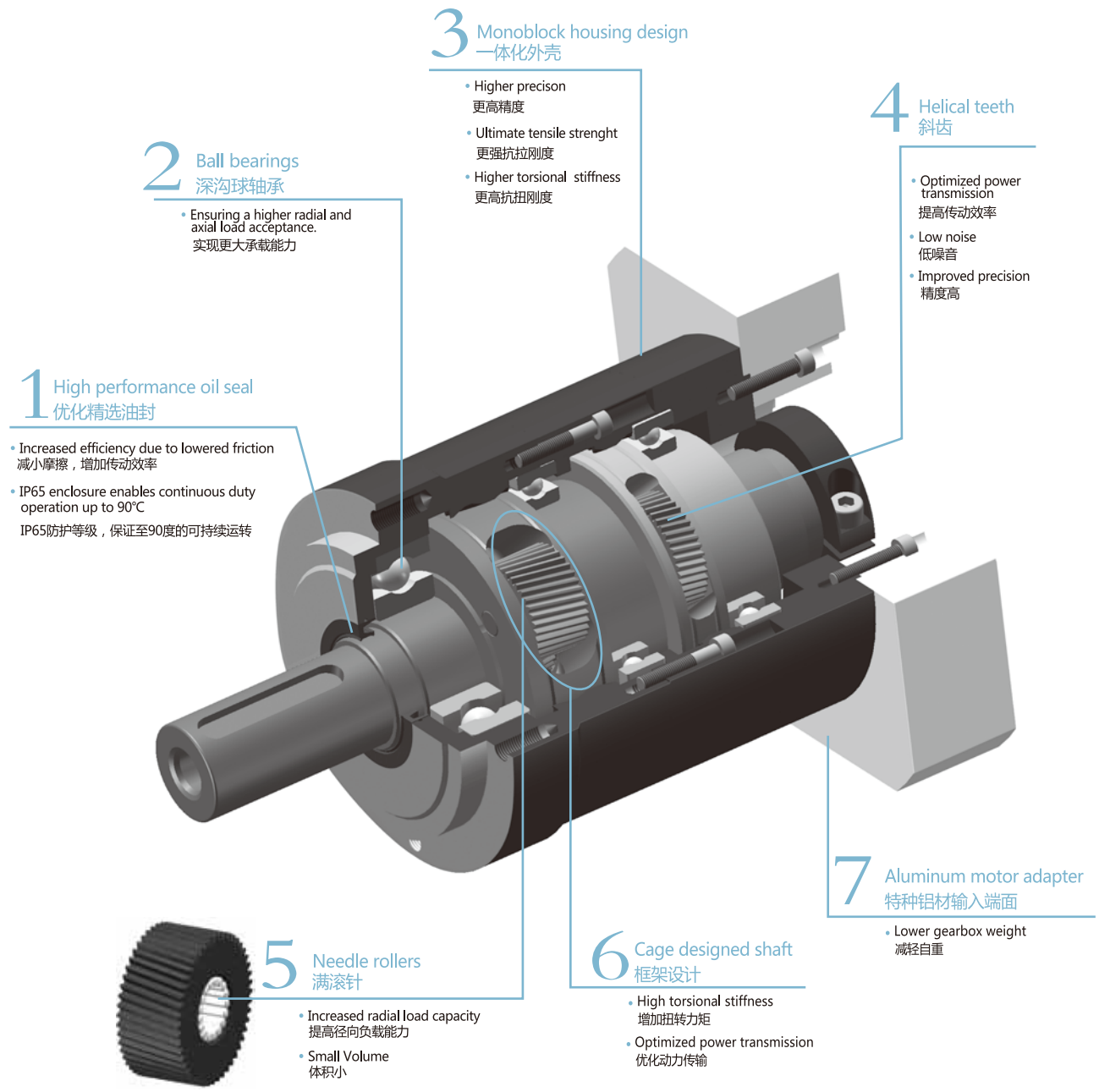




Excellent Performances, broad-spectrum, high torsional stiffness, high efficiency, low noise, low backlash.

高性能，用途广，高刚性，高效率，低噪音，低背隙



造型数据:

Selection data:

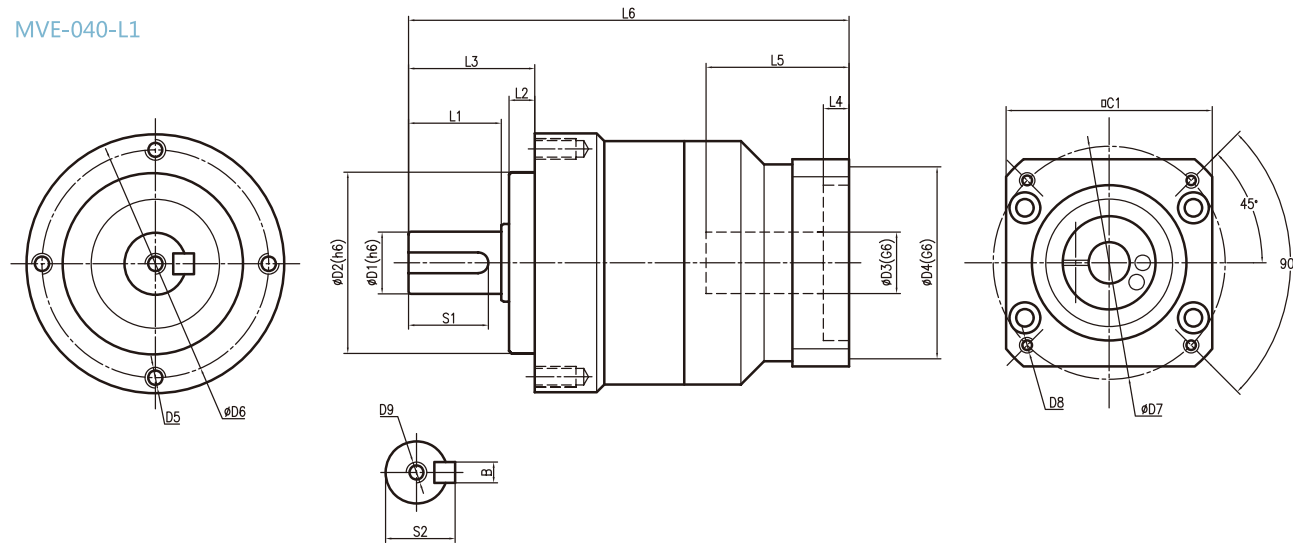
扭矩 (Nm)	14-2300
速比	3-100
背隙 (arcmin)	3-5
最大工作温度 (°C)	90
噪音 (dB)	63-77

Nominal output torque (Nm)	14-2300
Reduction ratio	3-100
Backlash (arcmin)	3-5
Max.working temperature (°C)	90
Noise (dB)	63-77

Planetary Gearbox

Drawing / Size

MVE-040-L1

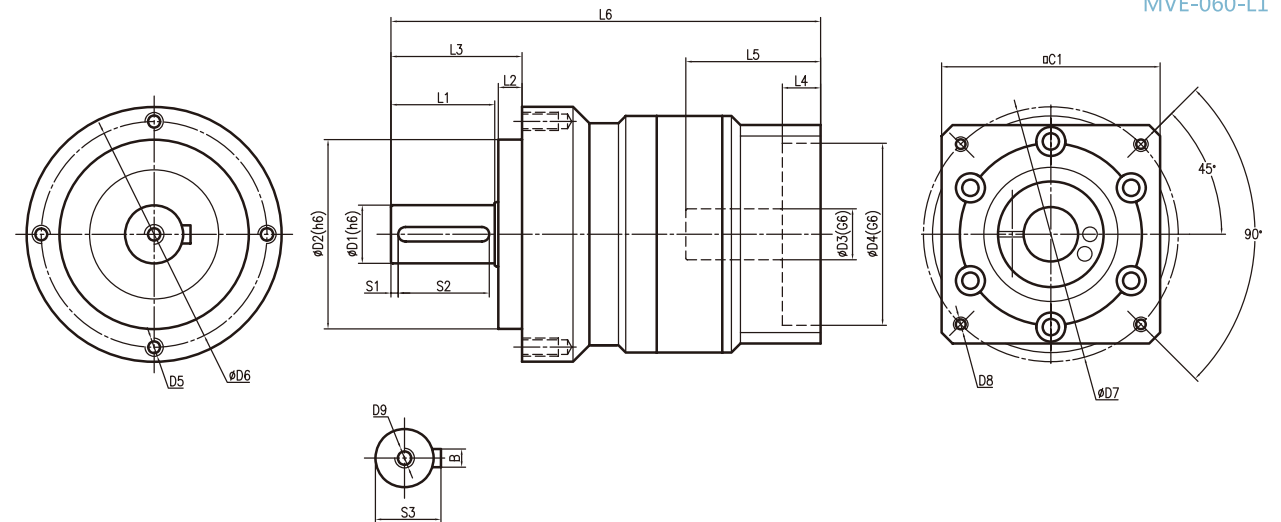


Flange	D1	D2	D3*	D4*	D5	D6	D7*	D8*	D9	L1	L2	L3	L4	L5*	L6*	C1*	S1	S2	B
Type I	Φ12	Φ35	Φ8	Φ30	4-M4X8	Φ44	Φ46	4-M3X8	M4X10	19	4	24.5	5	32	90.5	40	14	15	4
Type II	Φ12	Φ35	Φ11	Φ50	4-M4X8	Φ44	Φ70	4-M4X10	M4X10	19	4	24.5	5	32	90.5	60	14	15	4

Planetary Gearbox

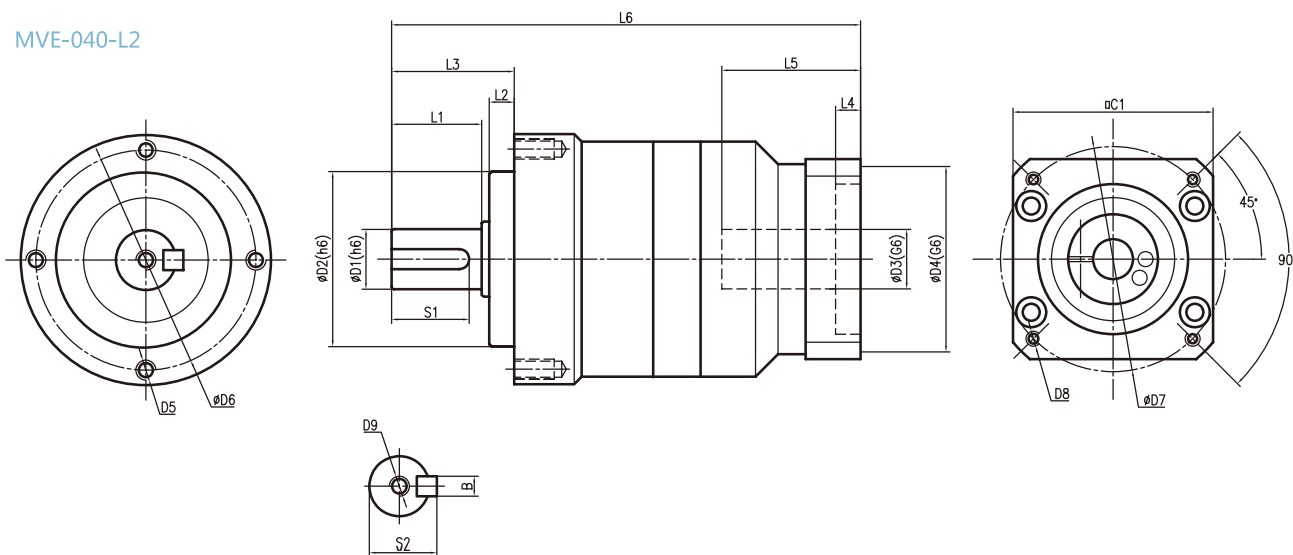
Drawing / Size

MVE-060-L1



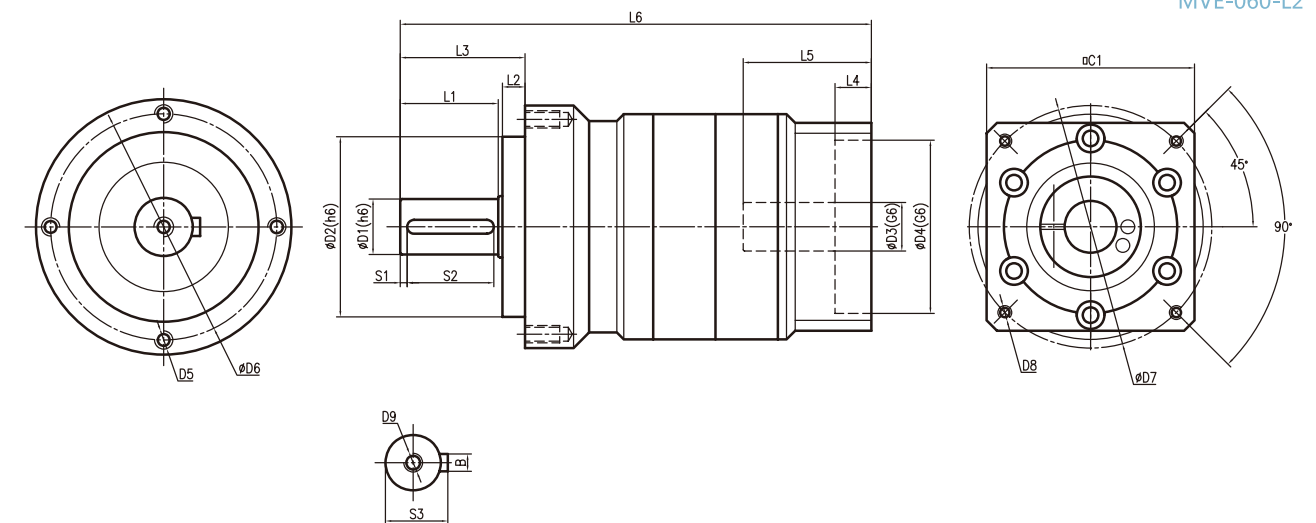
Flange	D1	D2	D3*	D4*	D5	D6	D7*	D8*	D9	L1	L2	L3	L4*	L5*	L6*	C1*	S1	S2	S3	B
Type I	Φ16	Φ52	Φ11	Φ50	4-M5X10	Φ62	Φ70	4-M4X12	M5X13	28.5	6.5	36.5	11	37	118	60	2	25	18	5
Type II	Φ16	Φ52	Φ14	Φ50	4-M5X10	Φ62	Φ70	4-M4X12	M5X13	28.5	6.5	36.5	11	37	118	60	2	25	18	5
Type III	Φ16	Φ52	Φ19	Φ70	4-M5X10	Φ62	Φ90	4-M5X12	M5X13	28.5	6.5	36.5	10.5	42	123	80	2	25	18	5

MVE-040-L2



Flange	D1	D2	D3*	D4*	D5	D6	D7*	D8*	D9	L1	L2	L3	L4	L5*	L6*	C1*	S1	S2	B
Type I	Φ12	Φ35	Φ8	Φ30	4-M4X8	Φ44	Φ45	4-M3X8	M4X10	19	4	24.5	5	32	106	40	14	15	4
Type II	Φ12	Φ35	Φ8	Φ30	4-M4X8	Φ44	Φ46	4-M4X10	M4X10	19	4	24.5	5	32	106	40	14	15	4

MVE-060-L2



Flange	D1	D2	D3*	D4*	D5	D6	D7*	D8*	D9	L1	L2	L3	L4*	L5*	L6*	C1*	S1	S2	S3	B
Type I	Φ16	Φ52	Φ11	Φ50	4-M5X10	Φ62	Φ70	4-M4X12	M5X13	28.5	6.5	36	11	37	138	60	2	25	18	5
Type II	Φ16	Φ52	Φ14	Φ50	4-M5X10	Φ62	Φ70	4-M4X12	M5X13	28.5	6.5	36	11	37	138	60	2	25	18	5

*Dimensions based on servo-motor, please contact us for custom made order.
注有 * 尺寸：代表可根据客户需求定制产品，如有需要，请联系我们！

*Dimensions based on servo-motor, please contact us for custom made order.
注有 * 尺寸：代表可根据客户需求定制产品，如有需要，请联系我们！

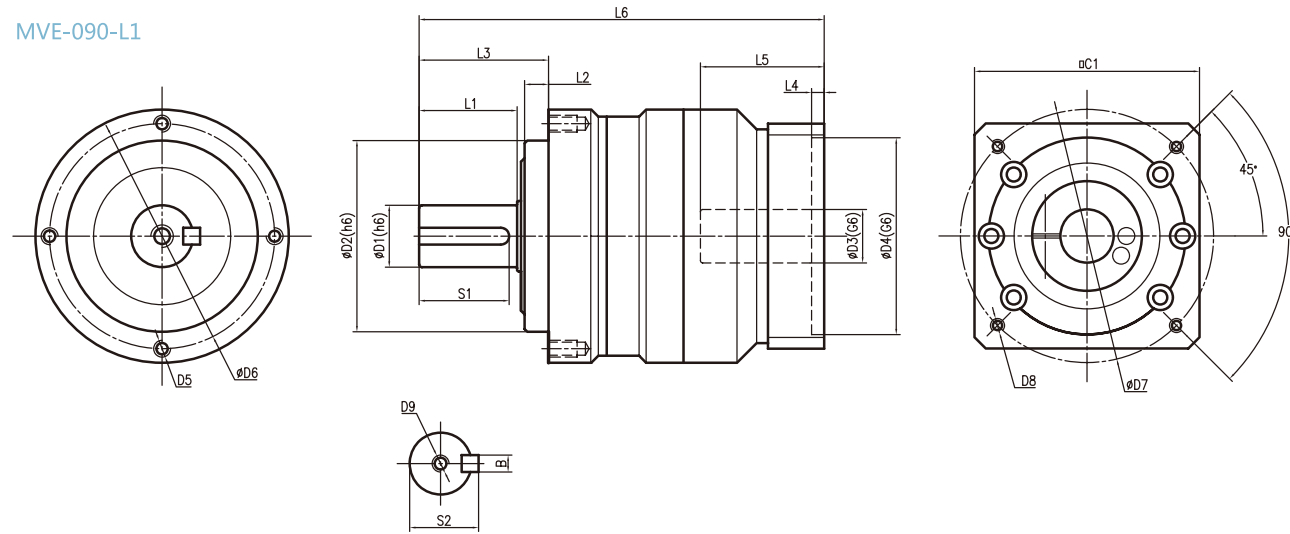
Planetary Gearbox

Drawing / Size

Planetary Gearbox

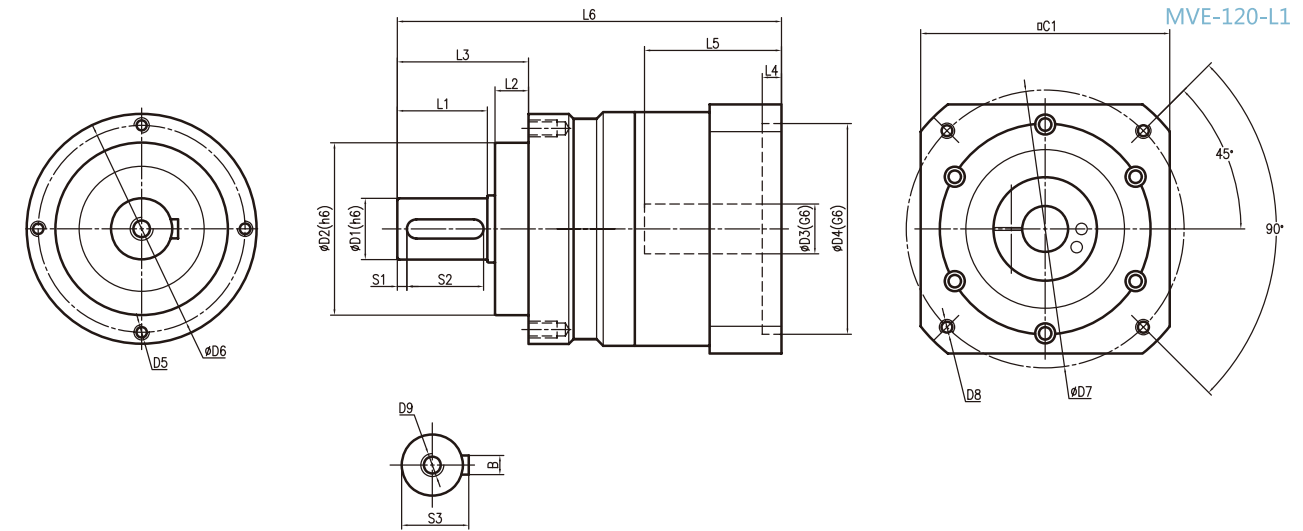
Drawing / Size

MVE-090-L1



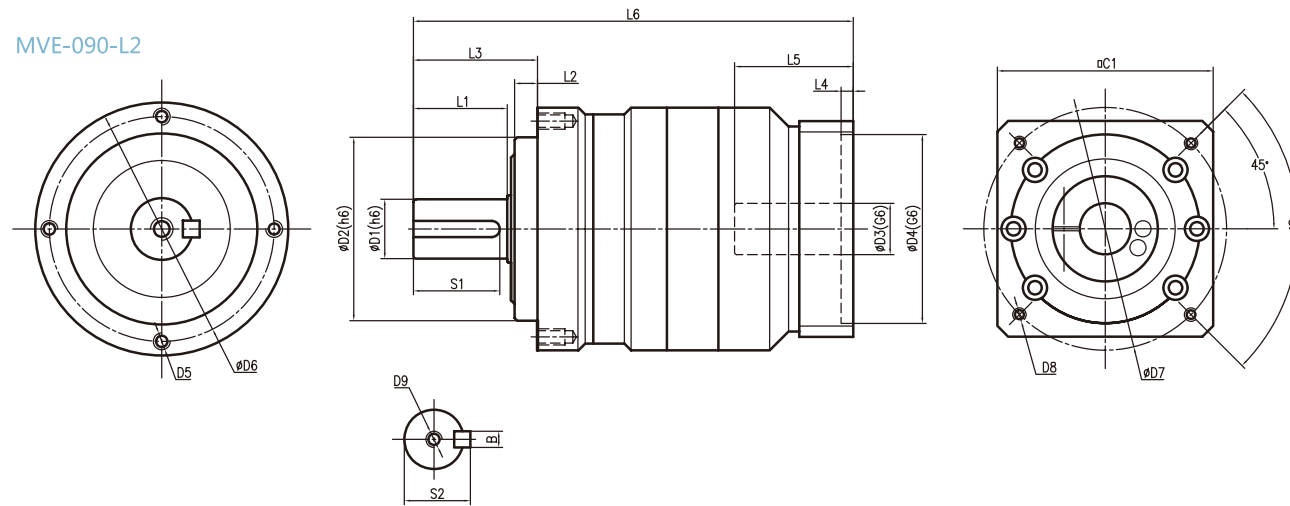
Flange	D1	D2	D3*	D4*	D5	D6	D7*	D8*	D9	L1	L2	L3	L4*	L5*	L6*	C1*	S1	S2	B
Type I	Φ22	Φ68	Φ19	Φ70	4-M6X12	Φ80	Φ90	4-M6X12	M8X20	35.5	8.5	46	5	44	144	80	32	24.5	6
Type II	Φ22	Φ68	Φ22	Φ110	4-M6X12	Φ80	Φ145	4-M8X16	M8X20	35.5	8.5	46	10	59	159	130	32	24.5	6
Type III	Φ22	Φ68	Φ24	Φ110	4-M6X12	Φ80	Φ145	4-M8X16	M8X20	35.5	8.5	46	10	59	159	130	32	24.5	6

MVE-120-L1



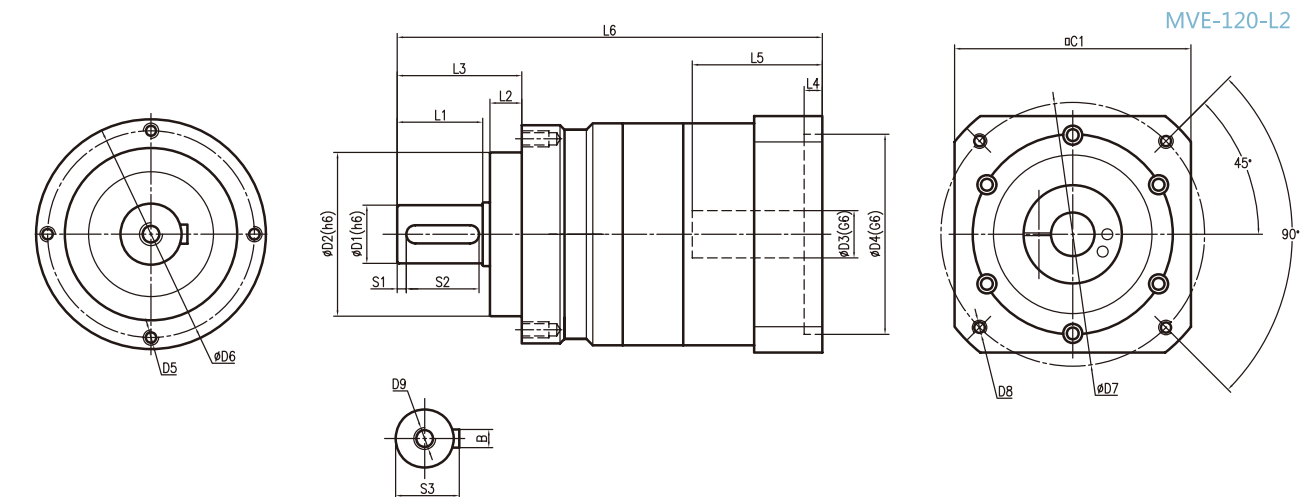
Flange	D1	D2	D3*	D4*	D5	D6	D7*	D8*	D9	L1	L2	L3	L4*	L5*	L6*	C1*	S1	S2	S3	B
Type I	Φ32	Φ90	Φ22	Φ110	4-M8X16	Φ108	Φ145	4-M8X16	M12X28	49.5	17.5	68.5	10	71.5	200.5	130	5	40	35	10
Type II	Φ32	Φ90	Φ24	Φ110	4-M8X16	Φ108	Φ145	4-M8X16	M12X28	49.5	17.5	68.5	10	71.5	200.5	130	5	40	35	10
Type III	Φ32	Φ90	Φ28	Φ110	4-M8X16	Φ108	Φ145	4-M8X16	M12X28	49.5	17.5	68.5	10	71.5	200.5	130	5	40	35	10
Type IV	Φ32	Φ90	Φ35	Φ114.3	4-M8X16	Φ108	Φ200	4-M12X25	M12X28	49.5	17.5	68.5	10	81.5	210	180	5	40	35	10

MVE-090-L2



Flange	D1	D2	D3*	D4*	D5	D6	D7*	D8*	D9	L1	L2	L3	L4*	L5*	L6*	C1*	S1	S2	B
Type I	Φ22	Φ68	Φ14	Φ50	4-M6X12	Φ80	Φ70	4-M4X10	M8X20	35.5	8.5	46	10.5	37	159.5	60	32	24.5	6
Type II	Φ22	Φ68	Φ19	Φ70	4-M6X12	Φ80	Φ90	4-M5X16	M8X20	35.5	8.5	46	11	49.5	178.5	80	32	24.5	6
Type III	Φ22	Φ68	Φ22	Φ110	4-M6X12	Φ80	Φ145	4-M8X16	M8X20	35.5	8.5	46	10	57.5	186.5	130	32	24.5	6
Type IV	Φ22	Φ68	Φ24	Φ110	4-M6X12	Φ80	Φ145	4-M8X16	M8X20	35.5	8.5	46	10	57.5	186.5	130	32	24.5	6

MVE-120-L2



Flange	D1	D2	D3*	D4*	D5	D6	D7*	D8*	D9	L1	L2	L3	L4*	L5*	L6*	C1*	S1	S2	S3	B
Type I	Φ32	Φ90	Φ19	Φ70	4-M8X16	Φ108	Φ90	4-M5X10	M12X28	49.5	17.5	68.5	11	49.5	203.5	80	5	40	35	10
Type II	Φ32	Φ90	Φ22	Φ110	4-M8X16	Φ108	Φ145	4-M8X16	M12X28	49.5	17.5	68.5	10	71.5	234	130	5	40	35	10
Type III	Φ32	Φ90	Φ24	Φ110	4-M8X16	Φ108	Φ145	4-M8X16	M12X28	49.5	17.5	68.5	10	71.5	234	130	5	40	35	10

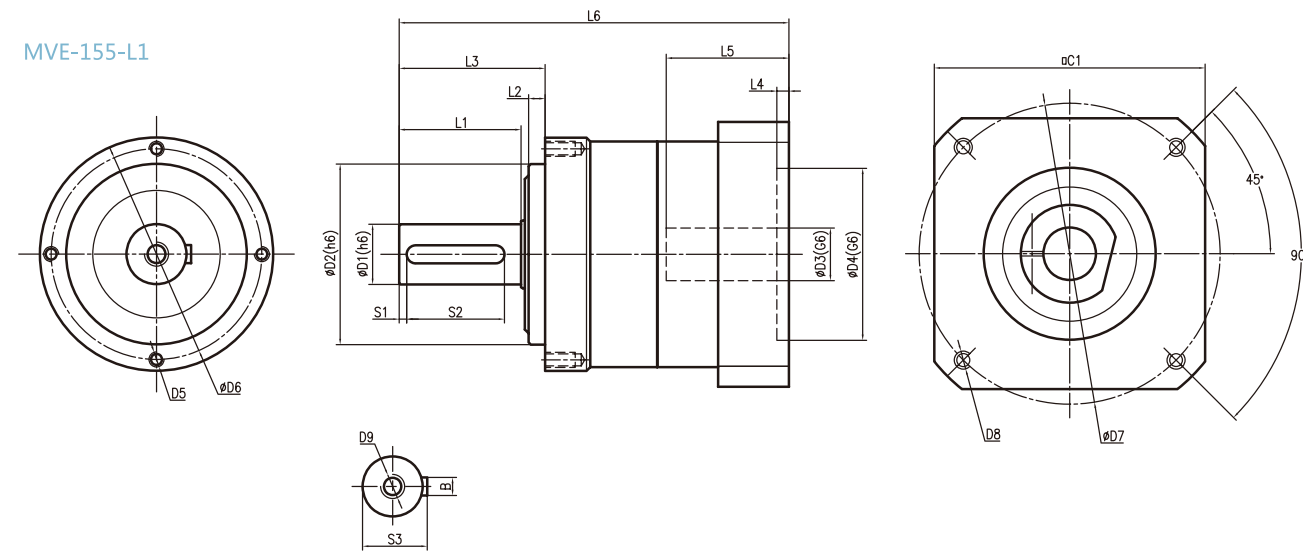
*Dimensions based on servo-motor, please contact us for custom made order.
注有 * 尺寸：代表可根据客户需求定制产品，如有需要，请联系我们！

*Dimensions based on servo-motor, please contact us for custom made order.
注有 * 尺寸：代表可根据客户需求定制产品，如有需要，请联系我们！

Planetary Gearbox

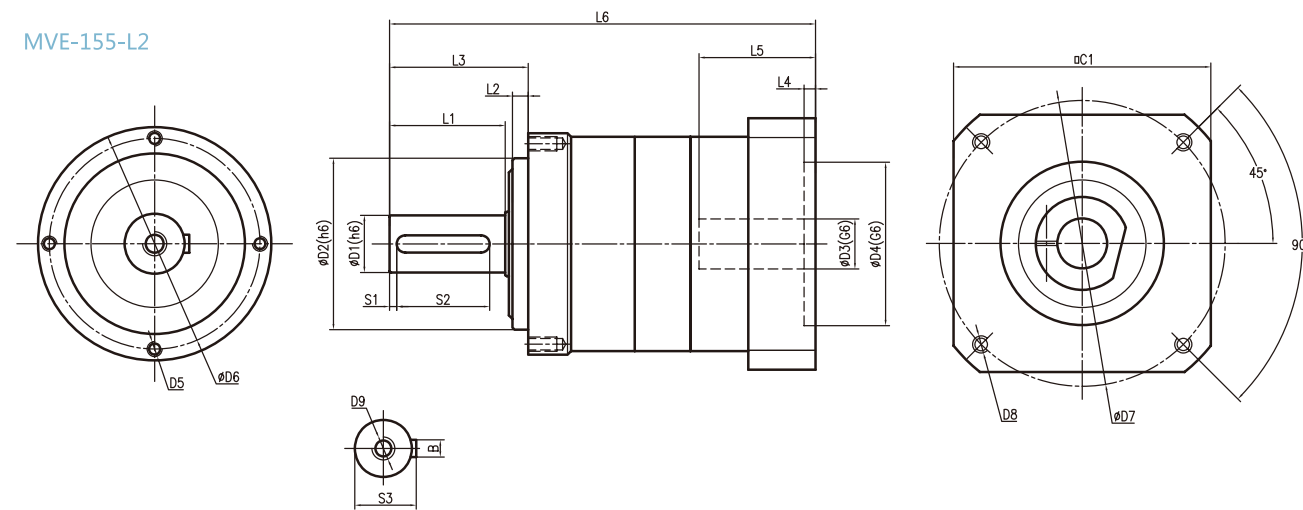
Drawing / Size

MVE-155-L1



Flange	D1	D2	D3*	D4*	D5	D6	D7*	D8*	D9	L1	L2	L3	L4*	L5*	L6*	C1*	S1	S2	S3	B
Type I	Φ40	Φ120	Φ24	Φ110	4-M10X20	Φ140	Φ145	4-M8X16	M16X36	82	12	97	6	69	246.5	130	5	65	43	12
Type II	Φ40	Φ120	Φ28	Φ110	4-M10X20	Φ140	Φ145	4-M8X16	M16X36	82	12	97	6	69	246.5	130	5	65	43	12
Type III	Φ40	Φ120	Φ35	Φ114.3	4-M10X20	Φ140	Φ200	4-M12X25	M16X36	82	12	97	8	81.5	259	180	5	65	43	12
Type IV	Φ40	Φ120	Φ38	Φ114.3	4-M10X20	Φ140	Φ200	4-M12X25	M16X36	82	12	97	8	81.5	259	180	5	65	43	12

MVE-155-L2



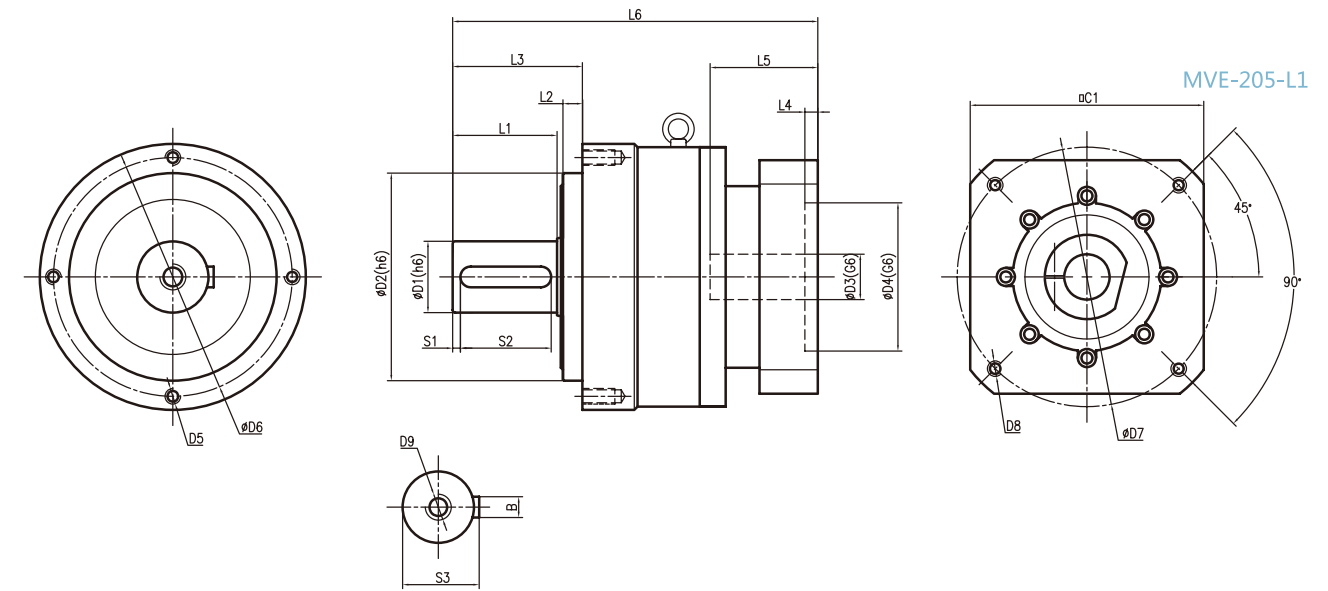
Flange	D1	D2	D3*	D4*	D5	D6	D7*	D8*	D9	L1	L2	L3	L4*	L5*	L6*	C1*	S1	S2	S3	B
Type I	Φ40	Φ120	Φ19	Φ110	4-M10X20	Φ140	Φ145	4-M5X12	M16X36	82	12	97	6	69	300	80	5	65	43	12
Type II	Φ40	Φ120	Φ22	Φ110	4-M10X20	Φ140	Φ145	4-M8X16	M16X36	82	12	97	6	69	300	130	5	65	43	12
Type III	Φ40	Φ120	Φ24	Φ110	4-M10X20	Φ140	Φ145	4-M8X16	M16X36	82	12	97	8	69	300	130	5	65	43	12
Type IV	Φ40	Φ120	Φ32	Φ110	4-M10X20	Φ140	Φ145	4-M8X16	M16X36	82	12	97	8	81.5	312.5	130	5	65	43	12

*Dimensions based on servo-motor, please contact us for custom made order.
注有 * 尺寸：代表可根据客户需求定制产品，如有需要，请联系我们！

Planetary Gearbox

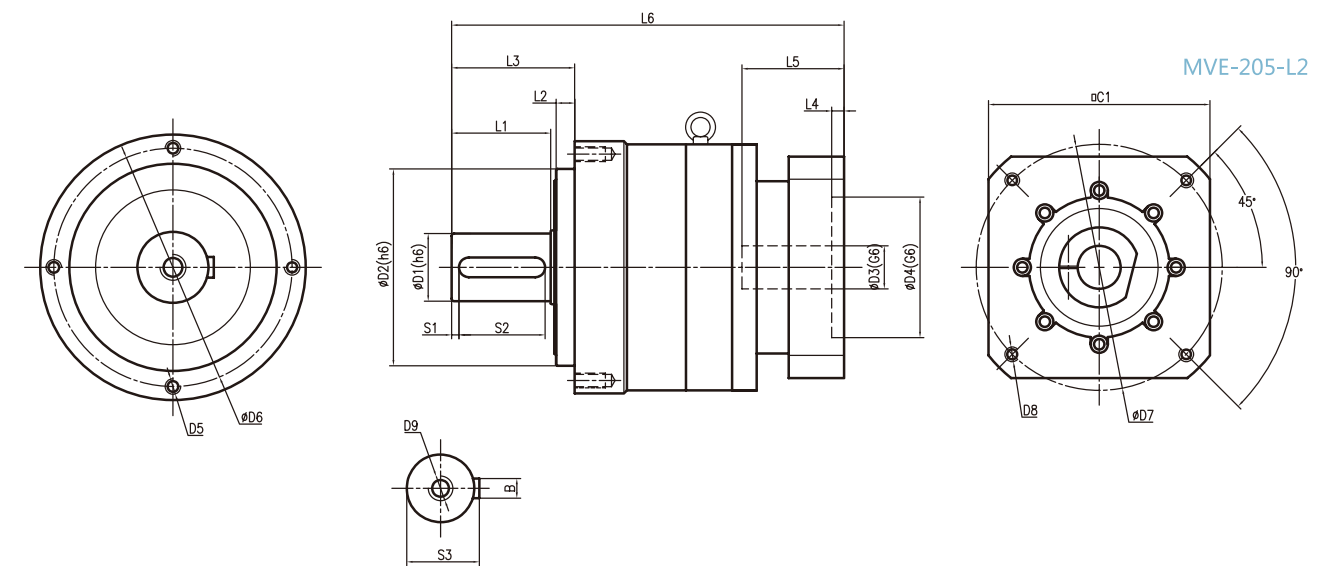
Drawing / Size

MVE-205-L1



Flange	D1	D2	D3*	D4*	D5	D6	D7*	D8*	D9	L1	L2	L3	L4*	L5*	L6*	C1	S1	S2	S3	B
Type I	Φ55	Φ160	Φ38	Φ114.3	4-M12X24	Φ184	Φ200	4-M12X25	M20X42	82	15	100	10	83	281.5	180	6	70	59	16
Type II	Φ55	Φ160	Φ42	Φ114.3	4-M12X24	Φ184	Φ200	4-M12X25	M20X42	82	15	100	12	85	283.5	180	6	70	59	16
Type III	Φ55	Φ160	Φ48	Φ200	4-M12X24	Φ184	Φ235	4-M12X25	M20X42	82	15	100	12	85	283.5	220	6	70	59	16

MVE-205-L2



Flange	D1	D2	D3*	D4*	D5	D6	D7*	D8*	D9	L1	L2	L3	L4*	L5*	L6*	C1	S1	S2	S3	B
Type I	Φ55	Φ160	Φ24	Φ110	4-M12X24	Φ184	Φ145	4-M8X16	M20X42	82	15	100	10	83	333.5	130	6	70	59	16
Type II	Φ55	Φ160	Φ38	Φ114.3	4-M12X24	Φ184	Φ200	4-M12X25	M20X42	82	15	100	10	83	333.5	180	6	70	59	16
Type III	Φ55	Φ160	Φ48	Φ200	4-M12X24	Φ184	Φ235	4-M12X25	M20X42	82	15	100	12	85	335.5	220	6	70	59	16

*Dimensions based on servo-motor, please contact us for custom made order.
注有 * 尺寸：代表可根据客户需求定制产品，如有需要，请联系我们！

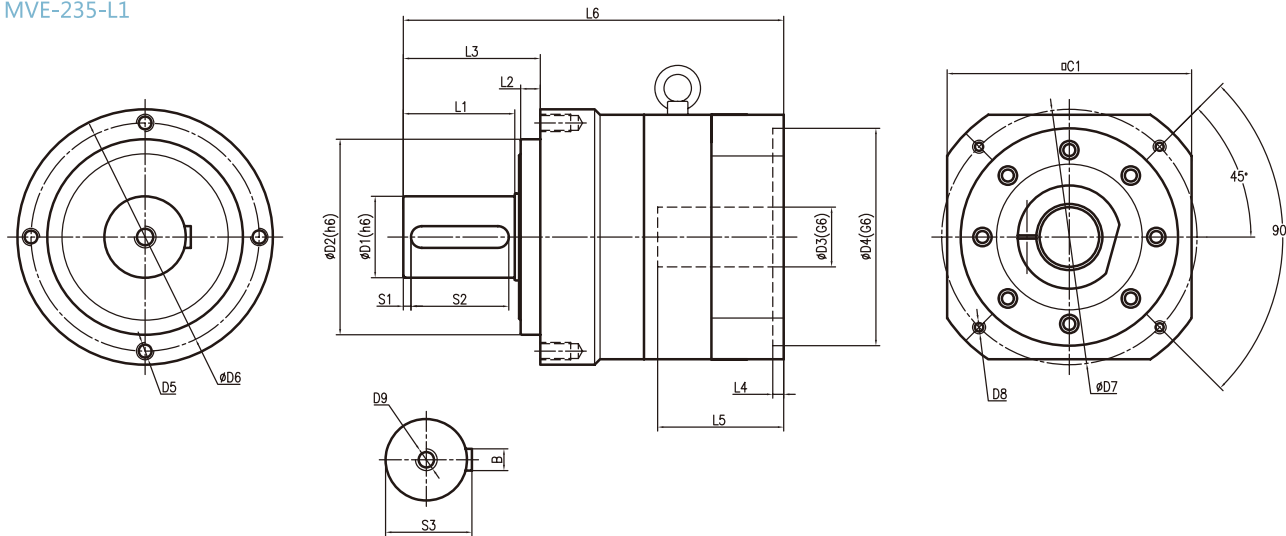
Planetary Gearbox

Drawing / Size

Planetary Gearbox

Performance table

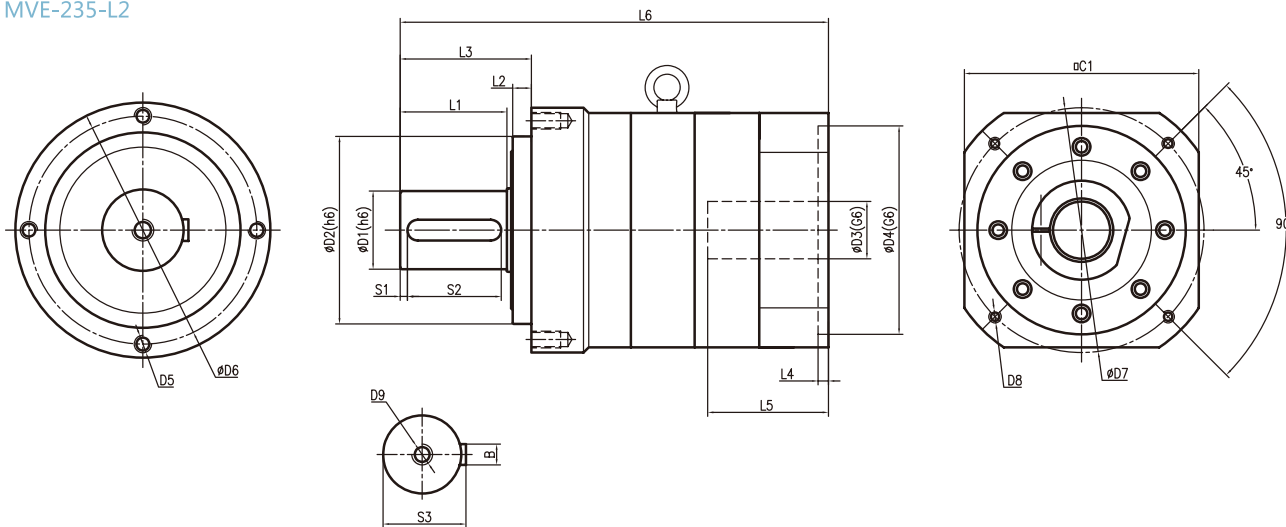
MVE-235-L1



Flange	D1	D2	D3*	D4*	D5	D6	D7*	D8*	D9	L1	L2	L3	L4*	L5*	L6*	C1	S1	S2	S3	B
Type I	φ75	φ180	φ48	φ200	4-M16X28	φ210	φ235	4-M12X20	M20X42	105	18	126	10	116	350	225	7	90	79.5	20
Type II	φ75	φ180	φ55	φ200	4-M16X28	φ210	φ235	4-M12X25	M20X42	105	18	126	10	116	350	225	7	90	79.5	20

MVE-040																															
Symb. Unit	i	T _{2N} N _m	T _{2Not} N _m	n _{1N} rpm	n _{1Max} rpm	j _t arcmin	C _{2t} Nm/arcmin	F _{2RMax} N	F _{2AMax} N	J ₁ kgcm ²	η %	L _h h	T °C	Lub	PC	MP	dB														
I STAGE	3	14	2×T _{2N}	5000	8500	≤3	3	700	610	0.03	≥95	>20000	-15~45	Life Lubrication 终身润滑	IP65	Any 任何方向	≤63														
	4	14					3																								
	5	20					3																								
	6	20					3																								
	7	20					2.2																								
	8	20					3																								
	9	14					3																								
II STAGE	10	14					2.2											3	3	3	3	3	3	3	≥90						
	15	14					3																								
	20	20					3																								
	35	20	3																												
	40	20	3																												
	50	20	3																												
	80	20	3																												
100	14	2.2																													

MVE-235-L2



Flange	D1	D2	D3*	D4*	D5	D6	D7*	D8*	D9	L1	L2	L3	L4*	L5*	L6*	C1	S1	S2	S3	B
Type I	φ75	φ180	φ48	φ200	4-M16X28	φ210	φ235	4-M12X20	M20X42	105	18	126	10	116	409.5	225	7	90	79.5	20
Type II	φ75	φ180	φ55	φ200	4-M16X28	φ210	φ235	4-M12X25	M20X42	105	18	126	10	116	409.5	225	7	90	79.5	20

MVE-060																															
Symb. Unit	i	T _{2N} N _m	T _{2Not} N _m	n _{1N} rpm	n _{1Max} rpm	j _t arcmin	C _{2t} Nm/arcmin	F _{2RMax} N	F _{2AMax} N	J ₁ kgcm ²	η %	L _h h	T °C	Lub	PC	MP	dB														
I STAGE	3	34	2×T _{2N}	5000	10000	≤3	7	1200	1050	0.16	≥95	>20000	-15~45	Life Lubrication 终身润滑	IP65	Any 任何方向	≤65														
	4	50					7																								
	5	50					7																								
	6	50					7																								
	7	50					7																								
	8	50					7																								
	9	35					7																								
II STAGE	10	35					7											7	7	7	7	7	7	7	≥90						
	15	35					7																								
	20	50					7																								
	35	50	7																												
	40	50	7																												
	50	50	7																												
	80	50	7																												
100	35	7																													

*Dimensions based on servo-motor, please contact us for custom made order.
注有 * 尺寸：代表可根据客户需求定制产品，如有需要，请联系我们！

Planetary Gearbox Performance table

MVE-090																															
Symb.	i	T _{2N}	T _{2Not}	n _{1N}	n _{1Max}	j _t	C _{2t}	F _{2RMax}	F _{2AMax}	J ₁	η	L _h	T	Lub	PC	MP	dB														
Unit		N _m	N _m	rpm	rpm	arcmin	Nm/arcmin	N	N	kgcm ²	%	h	°C																		
I STAGE	3	80	2×T _{2N}	4000	8000	≤3	14	2450	2200	0.61	≥95	>20000	-15~45	Life Lubrication 终身润滑	IP65	Any 任何方向	≤67														
	4	120					14			0.48																					
	5	125					14			0.47																					
	6	125					14			0.47																					
	7	125					14			0.45																					
	8	125					14			0.45																					
	9	80					14			0.42																					
	10	80					14			0.40																					
	II STAGE	15					80			2×T _{2N}								4000	8000	≤5	14	2450	2200	0.45	≥90	>20000	-15~45	Life Lubrication 终身润滑	IP65	Any 任何方向	≤67
		20					125														14			0.45							
35		125	14	0.45																											
40		125	14	0.45																											
50		125	14	0.40																											
80		125	14	0.40																											
100		80	14	0.40																											

Planetary Gearbox Performance table

MVE-155																															
Symb.	i	T _{2N}	T _{2Not}	n _{1N}	n _{1Max}	j _t	C _{2t}	F _{2RMax}	F _{2AMax}	J ₁	η	L _h	T	Lub	PC	MP	dB														
Unit		N _m	N _m	rpm	rpm	arcmin	Nm/arcmin	N	N	kgcm ²	%	h	°C																		
I STAGE	3	460	2×T _{2N}	3000	6000	≤3	50	9000	8300	9.21	≥95	>20000	-15~45	Life Lubrication 终身润滑	IP65	Any 任何方向	≤72														
	4	650					50			7.54																					
	5	700					50			7.42																					
	6	700					50			7.42																					
	7	700					50			7.14																					
	8	700					50			7.14																					
	9	460					50			7.08																					
	10	460					50			7.03																					
	II STAGE	15					460			2×T _{2N}								3000	6000	≤5	50	9000	8300	2.63	≥90	>20000	-15~45	Life Lubrication 终身润滑	IP65	Any 任何方向	≤72
		20					650														50			2.63							
35		700	50	2.43																											
40		700	50	2.43																											
50		700	50	2.39																											
80		700	50	2.39																											
100		460	50	2.39																											

MVE-120																															
Symb.	i	T _{2N}	T _{2Not}	n _{1N}	n _{1Max}	j _t	C _{2t}	F _{2RMax}	F _{2AMax}	J ₁	η	L _h	T	Lub	PC	MP	dB														
Unit		N _m	N _m	rpm	rpm	arcmin	Nm/arcmin	N	N	kgcm ²	%	h	°C																		
I STAGE	3	220	2×T _{2N}	4000	8000	≤3	25	4400	4000	3.25	≥95	>20000	-15~45	Life Lubrication 终身润滑	IP65	Any 任何方向	≤70														
	4	300					25			2.74																					
	5	350					25			2.71																					
	6	350					25			2.71																					
	7	330					25			2.62																					
	8	360					25			2.60																					
	9	240					25			2.59																					
	10	220					25			2.57																					
	II STAGE	15					220			2×T _{2N}								4000	8000	≤5	25	4400	4000	0.45	≥90	>20000	-15~45	Life Lubrication 终身润滑	IP65	Any 任何方向	≤70
		20					300														25			0.45							
35		350	25	0.45																											
40		300	25	0.45																											
50		330	25	0.40																											
80		360	25	0.40																											
100		220	25	0.40																											

MVE-205																															
Symb.	i	T _{2N}	T _{2Not}	n _{1N}	n _{1Max}	j _t	C _{2t}	F _{2RMax}	F _{2AMax}	J ₁	η	L _h	T	Lub	PC	MP	dB														
Unit		N _m	N _m	rpm	rpm	arcmin	Nm/arcmin	N	N	kgcm ²	%	h	°C																		
I STAGE	3	980	2×T _{2N}	3000	6000	≤3	145	14500	13500	28.98	≥95	>20000	-15~45	Life Lubrication 终身润滑	IP65	Any 任何方向	≤75														
	4	1350					145			23.67																					
	5	1400					145			23.29																					
	6	1400					145			22.29																					
	7	1400					145			22.48																					
	8	1400					145			22.48																					
	9	980					145			22.40																					
	10	980					145			22.51																					
	II STAGE	15					980			2×T _{2N}								3000	6000	≤5	145	14500	13500	7.3	≥90	>20000	-15~45	Life Lubrication 终身润滑	IP65	Any 任何方向	≤75
		20					1350														145			7.3							
35		1400	145	7.1																											
40		1350	145	6.92																											
50		1400	145	6.92																											
80		1400	145	6.72																											
100		980	145	6.72																											

Planetary Gearbox

Performance table

MVE-235																			
Symb.	i	T _{2N}	T _{2Not}	n _{1N}	n _{1Max}	j _t	C _{2t}	F _{2RMax}	F _{2AMax}	J ₁	η	L _h	T	Lub	PC	MP	dB		
Unit		N _m	N _m	rpm	rpm	arcmin	Nm/arcmin	N	N	kgcm ²	%	h	°C						
I STAGE	3	1600	2×T _{2N}	2000	4200	≤3	225	20500	19000	69.61	≥95	>20000	-15~45	Life Lubrication 终身润滑	IP65	Any 任何方向	≤77		
	4	2200					225			54.37									
	5	2300					225			53.27									
	6	2300					225			53.27									
	7	2300					225			50.97									
	8	2300					225			50.88									
	9	1800					225			50.73									
	10	1600					225			50.56									
	II STAGE	15					1600			225								22.79	≥90
		20					2200			225								22.79	
35		2200	225	22.59															
40		2200	225	21.83															
50		2300	225	21.83															
80		2300	225	21.70															
100		1600	225	21.60															

Efficiency

The efficiency of planetary reducers varies with several parameters such as ratio, input speed, temperature, lubrication conditions, etc.

The efficiency was measured under the following working conditions:

Input speed (rpm)	3000
Operating temperature (°C)	25
Lubricant	Standard

效率特性

减速机的效率一般因减速比、输入转速、负载转速、温度、润滑条件而异。在下列测定条件下，各系列的效率如下所示。此外，图表的数值均为平均值。

输入转速 (rpm)	3000
环境温度 (°C)	25
润滑剂	标准润滑剂

Planetary Gearbox

Efficiency chat

