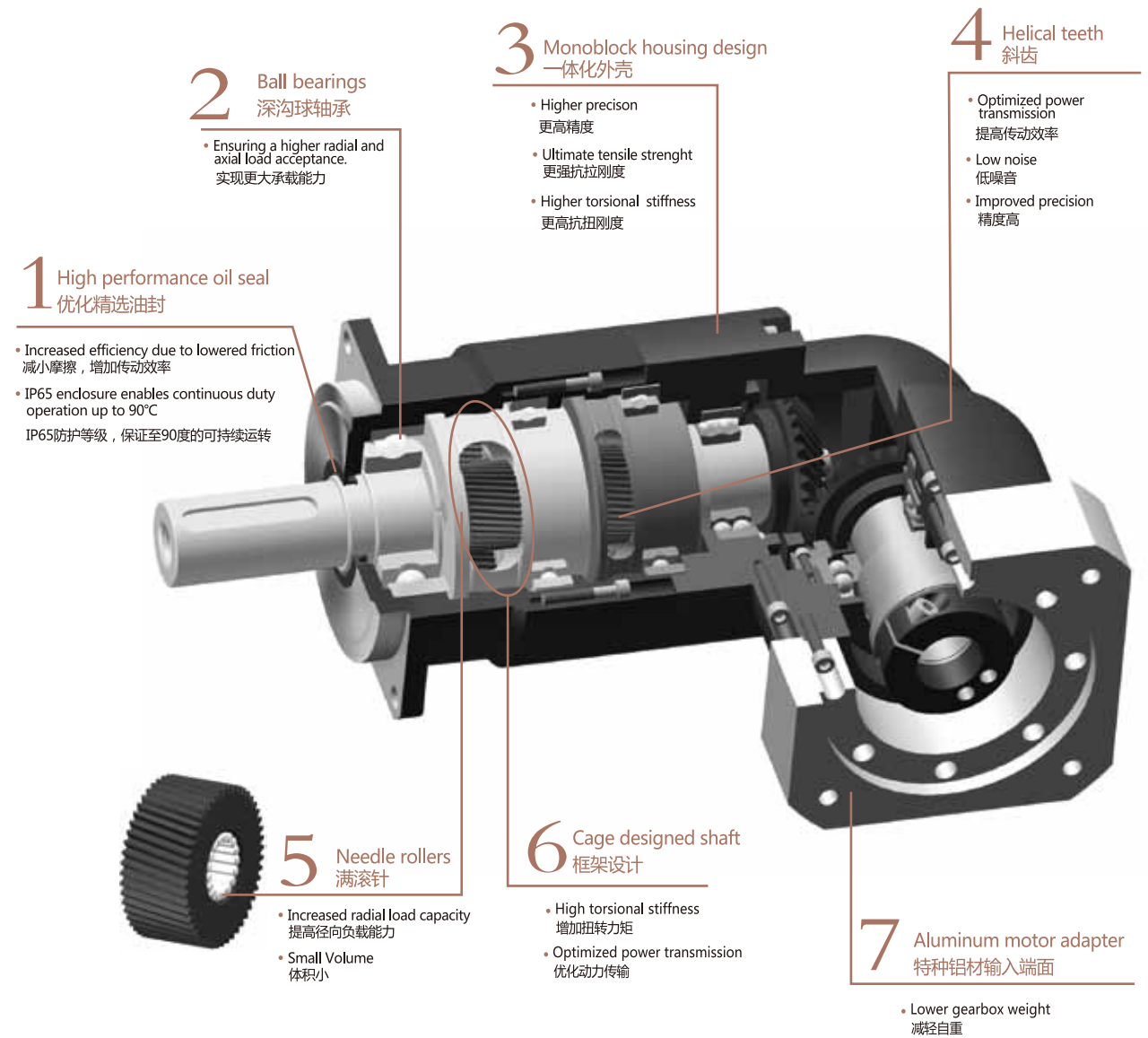




**Excellent Performances, broad-spectrum, high torsional stiffness, high efficiency, low noise, low backlash.**

高性能，用途广，高刚性，高效率，低噪音，低背隙



**造型数据:  
Selection data:**

扭矩 ( Nm )	22-600
速比	3-100
背隙 ( arcmin )	≤8
最大工作温度 ( °C )	90
噪音 ( dB )	66-74

Nominal output torque ( Nm )	22-600
Reduction ratio	3-100
Backlash ( arcmin )	≤8
Max.working temperature ( °C )	90
Noise ( dB )	66-74

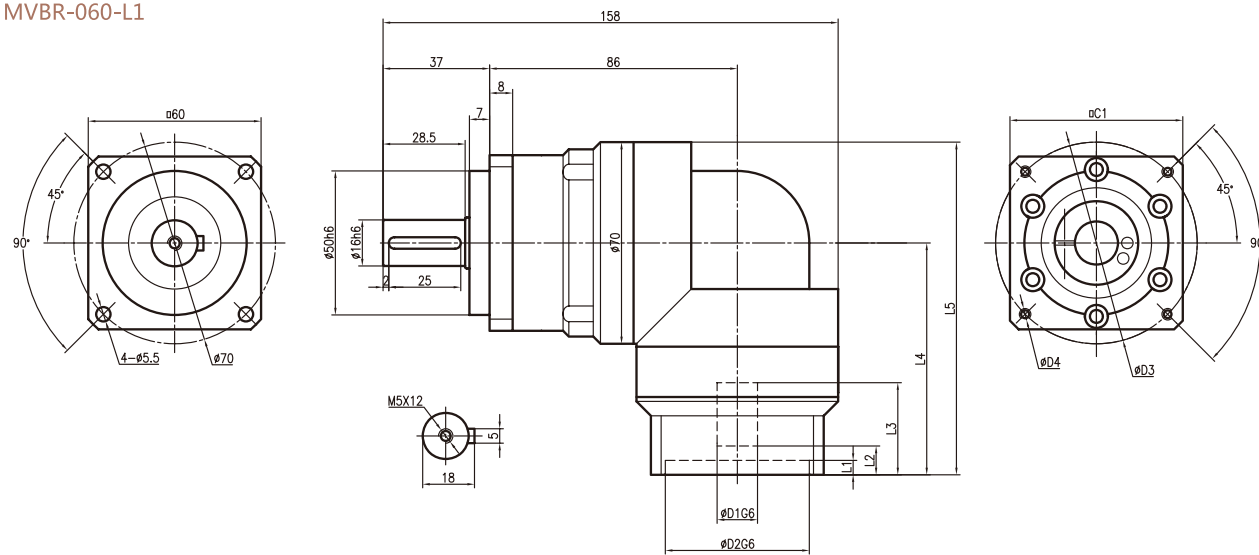
# Planetary Gearbox

## Drawing / Size

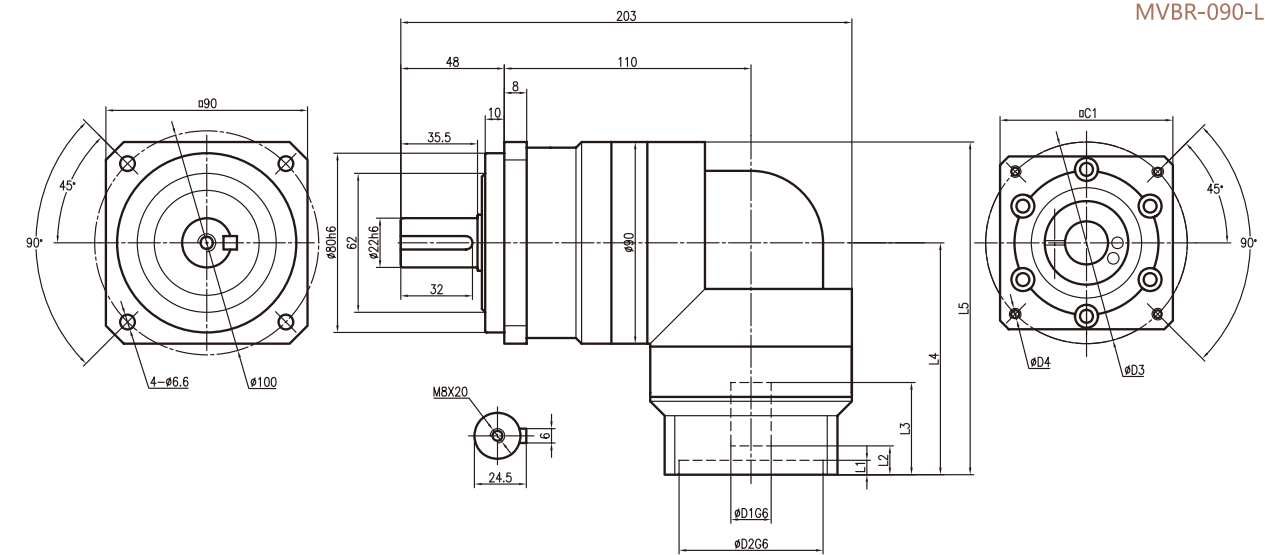
# Planetary Gearbox

## Drawing / Size

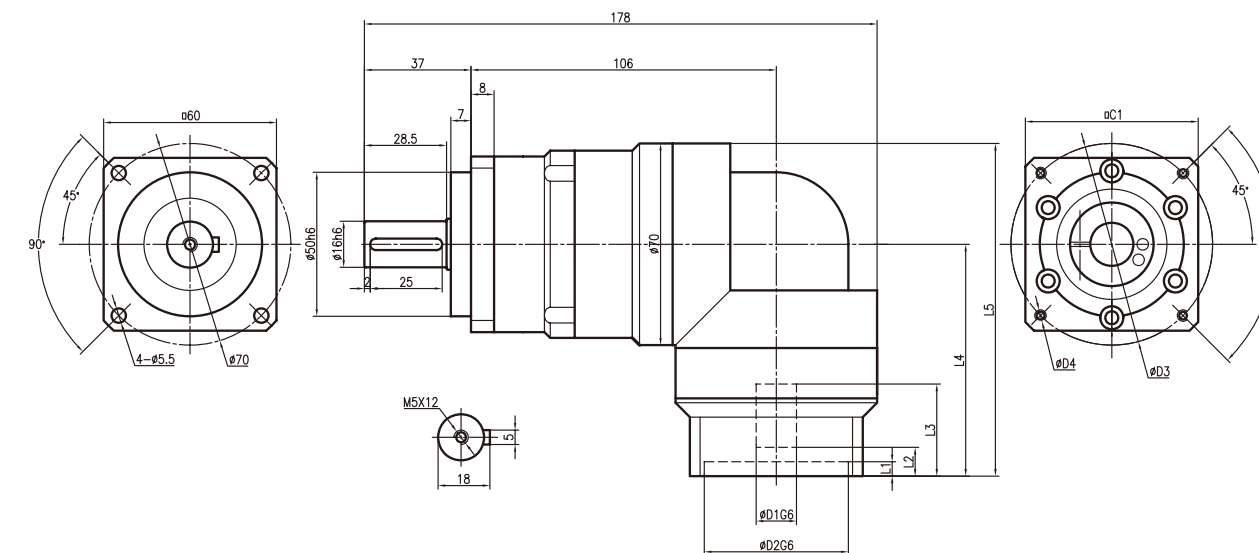
MVBR-060-L1



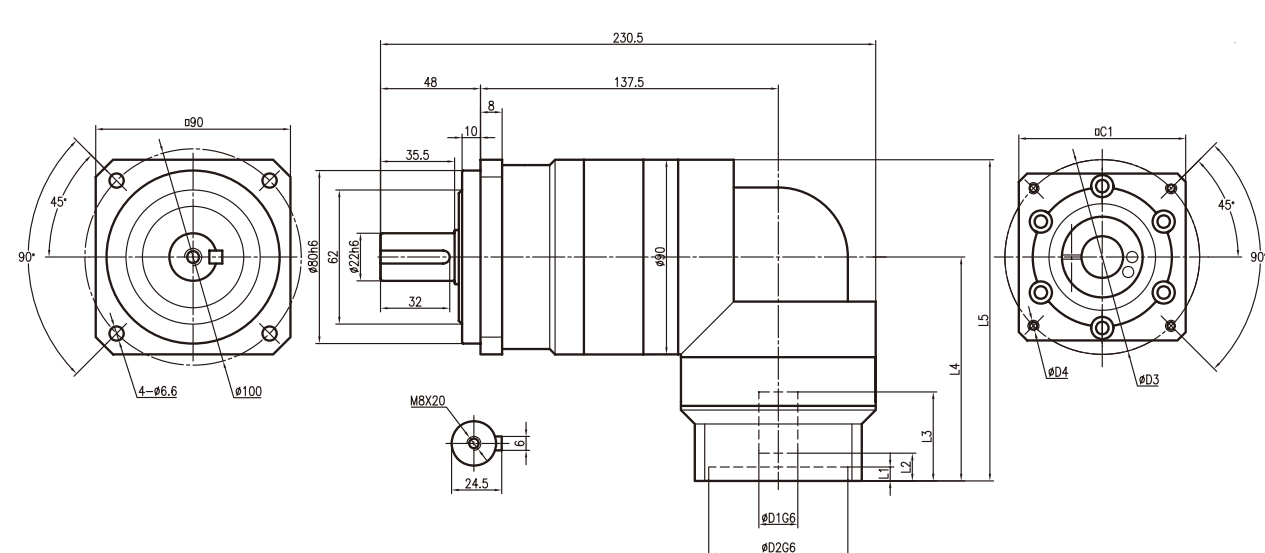
MVBR-090-L1



MVBR-060-L2



MVBR-090-L2



Flange	D1*	D2*	D3*	D4*	L1*	L2*	L3*	L4*	L5*	C1*
Type I	φ11	φ50	φ70	4-M4X8	5	10	32	80.5	115.5	60
Type II	φ14	φ50	φ70	4-M4X8	5	10	32	80.5	115.5	60

Flange	D1*	D2*	D3*	D4*	L1*	L2*	L3*	L4*	L5*	C1*
Type I	φ19	φ70	φ90	4-M8X16	12	13	42	107	152	80
Type II	φ22	φ110	φ145	4-M8X16	12	13	47	112	157	130
Type III	φ24	φ110	φ145	4-M8X16	12	13	47	112	157	130

\*Dimensions based on servo-motor, please contact us for custom made order.  
注有 \* 尺寸：代表可根据客户需求定制产品，如有需要，请联系我们！

\*Dimensions based on servo-motor, please contact us for custom made order.  
注有 \* 尺寸：代表可根据客户需求定制产品，如有需要，请联系我们！

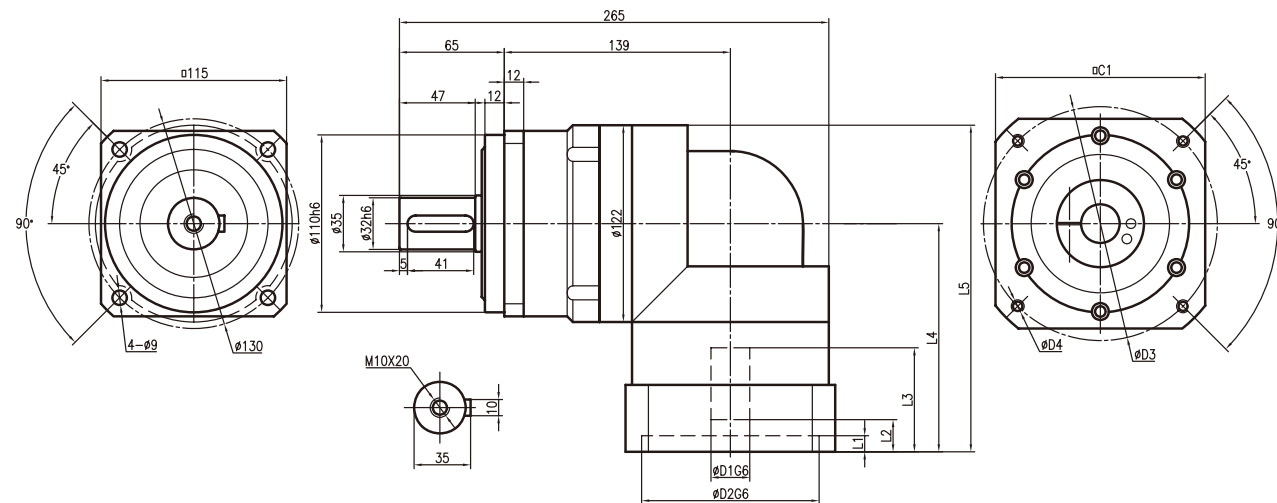
# Planetary Gearbox

## Drawing / Size

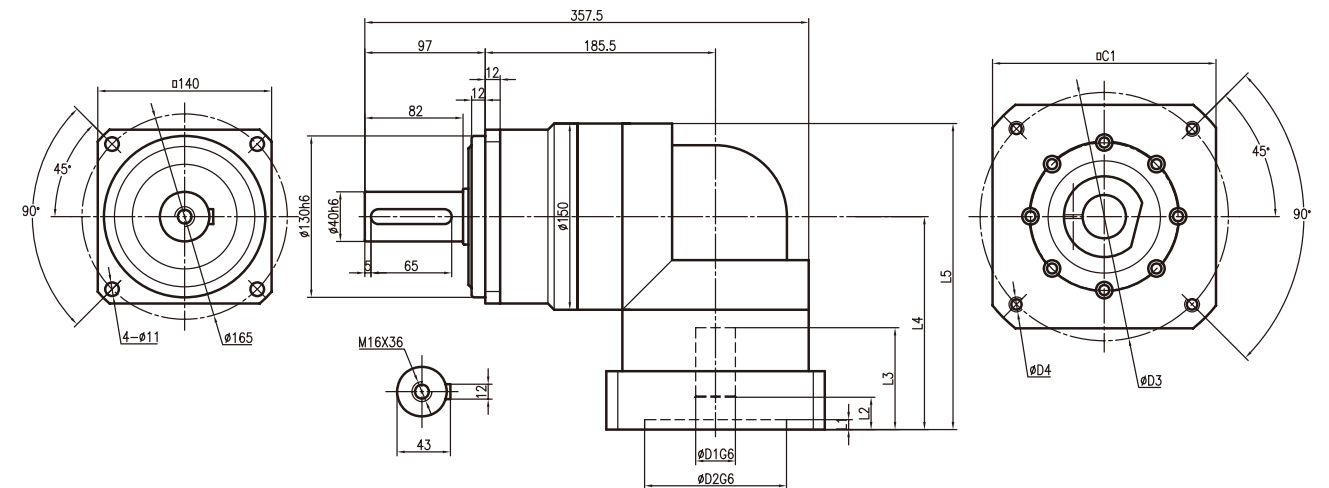
# Planetary Gearbox

## Drawing / Size

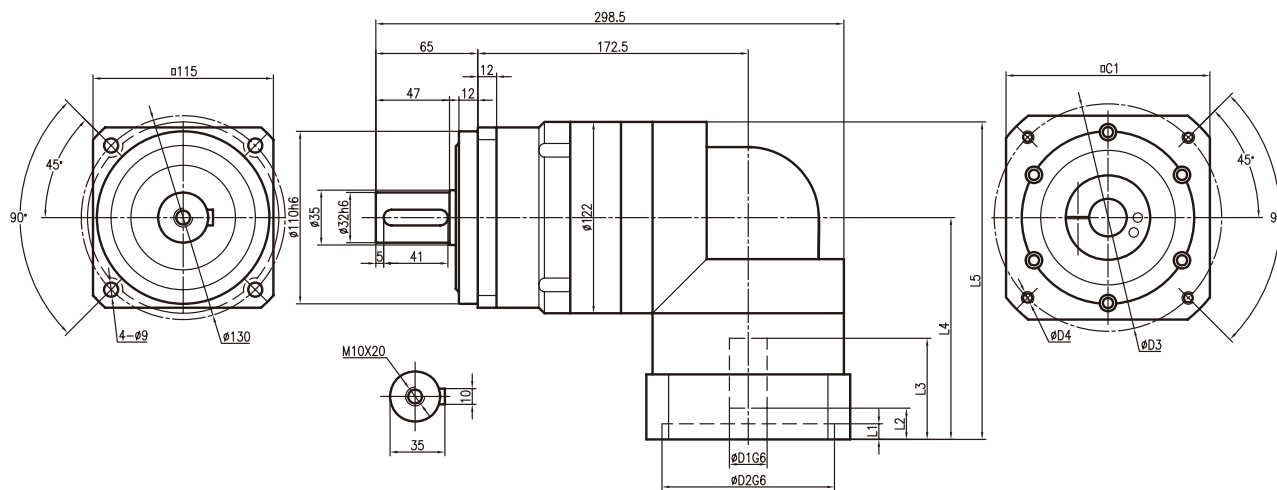
MVBR-120-L1



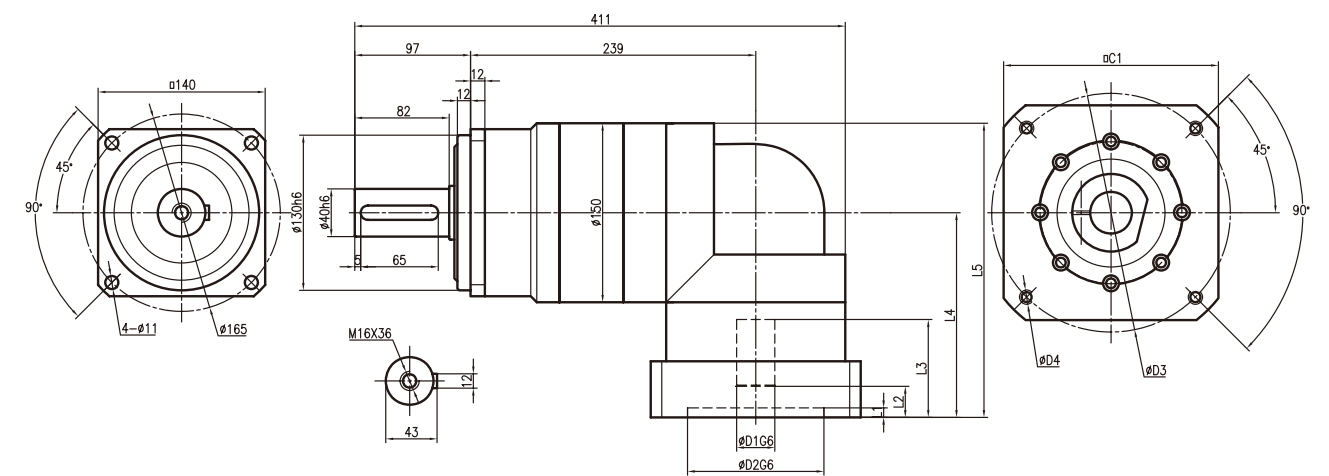
MVBR-140-L1



MVBR-120-L2



MVBR-140-L2



Flange	D1*	D2*	D3*	D4*	L1*	L2*	L3*	L4*	L5*	C1*
Type I	$\phi 22$	$\phi 110$	$\phi 145$	4-M8X16	10	19	64.5	141.5	202.5	130
Type II	$\phi 24$	$\phi 110$	$\phi 145$	4-M8X16	10	19	64.5	141.5	202.5	130
Type III	$\phi 32$	$\phi 130$	$\phi 165$	4-M10X20	10	19	60	147.5	208.5	160

Flange	D1*	D2*	D3*	D4*	L1*	L2*	L3*	L4*	L5*	C1*
Type I	$\phi 24$	$\phi 110$	$\phi 145$	4-M8X16	8	17	67	167	217.5	130
Type II	$\phi 32$	$\phi 114.3$	$\phi 165$	4-M10X20	8	17	67	167	217.5	160
Type III	$\phi 35$	$\phi 114.3$	$\phi 200$	4-M12X25	8	26	82	171.5	246.5	176

\*Dimensions based on servo-motor, please contact us for custom made order.  
注有 \* 尺寸：代表可根据客户需求定制产品，如有需要，请联系我们！

\*Dimensions based on servo-motor, please contact us for custom made order.  
注有 \* 尺寸：代表可根据客户需求定制产品，如有需要，请联系我们！

# Planetary Gearbox Performance table

MVBR-060																		
Symb.	i	T <sub>2N</sub>	T <sub>2Not</sub>	n <sub>1N</sub>	n <sub>1Max</sub>	j <sub>t</sub>	C <sub>2t</sub>	F <sub>2RMax</sub>	F <sub>2AMax</sub>	J <sub>1</sub>	η	L <sub>h</sub>	T	Lub	PC	MP	dB	
Unit		N <sub>m</sub>	N <sub>m</sub>	rpm	rpm	arcmin	Nm/arcmin	N	N	kgcm <sup>2</sup>	%	h	°C					
I STAGE	3	22	2×T <sub>2N</sub>	5000	10000	≤8	7	1200	1050	0.16	≥90	>20000	-15~45	Life Lubrication 终身润滑	IP65	Any 任何方向	≤66	
	4	30								0.14								
	5	45								0.13								
	6	45								0.13								
	7	45								0.13								
	8	45								0.13								
	9	30								0.13								
	10	30								0.13								
	II STAGE	15								30								0.13
		20								30								0.13
35		45	0.13															
40		45	0.13															
50		45	0.13															
80		45	0.13															
100		30	0.13															

# Planetary Gearbox Performance table

MVBR-120																		
Symb.	i	T <sub>2N</sub>	T <sub>2Not</sub>	n <sub>1N</sub>	n <sub>1Max</sub>	j <sub>t</sub>	C <sub>2t</sub>	F <sub>2RMax</sub>	F <sub>2AMax</sub>	J <sub>1</sub>	η	L <sub>h</sub>	T	Lub	PC	MP	dB	
Unit		N <sub>m</sub>	N <sub>m</sub>	rpm	rpm	arcmin	Nm/arcmin	N	N	kgcm <sup>2</sup>	%	h	°C					
I STAGE	3	150	2×T <sub>2N</sub>	4000	8000	≤8	25	4200	3800	3.25	≥90	>20000	-15~45	Life Lubrication 终身润滑	IP65	Any 任何方向	≤72	
	4	200								2.74								
	5	260								2.71								
	6	300								2.71								
	7	300								2.62								
	8	300								2.60								
	9	200								2.59								
	10	200								2.57								
	II STAGE	15								200								0.45
		20								300								0.45
35		300	0.45															
40		300	0.45															
50		300	0.40															
80		300	0.40															
100		200	0.40															

MVBR-090																		
Symb.	i	T <sub>2N</sub>	T <sub>2Not</sub>	n <sub>1N</sub>	n <sub>1Max</sub>	j <sub>t</sub>	C <sub>2t</sub>	F <sub>2RMax</sub>	F <sub>2AMax</sub>	J <sub>1</sub>	η	L <sub>h</sub>	T	Lub	PC	MP	dB	
Unit		N <sub>m</sub>	N <sub>m</sub>	rpm	rpm	arcmin	Nm/arcmin	N	N	kgcm <sup>2</sup>	%	h	°C					
I STAGE	3	65	2×T <sub>2N</sub>	4000	8000	≤8	14	2400	2200	0.61	≥90	>20000	-15~45	Life Lubrication 终身润滑	IP65	Any 任何方向	≤68	
	4	85								0.48								
	5	90								0.47								
	6	90								0.47								
	7	90								0.45								
	8	90								0.45								
	9	65								0.42								
	10	65								0.40								
	II STAGE	15								65								0.45
		20								85								0.45
35		90	0.45															
40		90	0.45															
50		90	0.40															
80		90	0.40															
100		65	0.40															

MVBR-140																		
Symb.	i	T <sub>2N</sub>	T <sub>2Not</sub>	n <sub>1N</sub>	n <sub>1Max</sub>	j <sub>t</sub>	C <sub>2t</sub>	F <sub>2RMax</sub>	F <sub>2AMax</sub>	J <sub>1</sub>	η	L <sub>h</sub>	T	Lub	PC	MP	dB	
Unit		N <sub>m</sub>	N <sub>m</sub>	rpm	rpm	arcmin	Nm/arcmin	N	N	kgcm <sup>2</sup>	%	h	°C					
I STAGE	3	270	2×T <sub>2N</sub>	3000	6000	≤8	50	8500	7800	9.21	≥90	>20000	-15~45	Life Lubrication 终身润滑	IP65	Any 任何方向	≤74	
	4	350								7.54								
	5	420								7.42								
	6	520								7.42								
	7	600								7.14								
	8	600								7.14								
	9	400								7.08								
	10	400								7.03								
	II STAGE	15								400								2.63
		20								600								2.63
35		600	2.43															
40		600	2.43															
50		600	2.39															
80		600	2.39															
100		400	2.39															

MVBR

MVBR

# Planetary Gearbox Efficiency

## Efficiency

The efficiency of planetary reducers varies with several parameters such as ratio, input speed, temperature, lubrication conditions, etc.

The efficiency was measured under the following working conditions:

Input speed ( rpm )	3000
Operating temperature ( °C )	25
Lubricant	Standard

## 效率特性

减速机的效率一般因减速比、输入转速、负载转速、温度、润滑条件而异。

在下列测定条件下，各系列的效率如下所示。此外，图表的数值均为平均值。

输入转速 (rpm)	3000
环境温度 ( °C )	25
润滑剂	标准润滑剂

# Planetary Gearbox Efficiency chat

