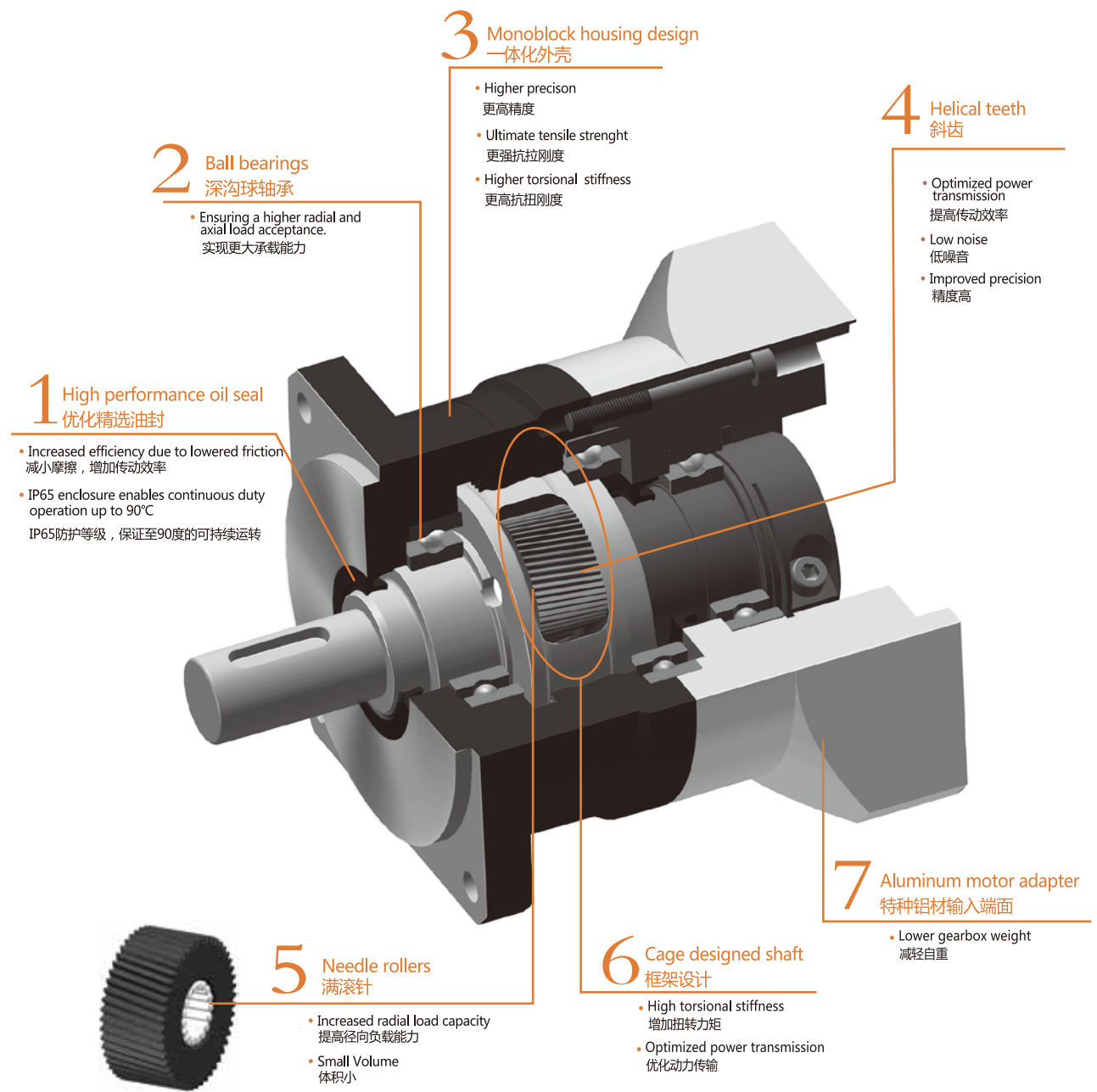


MPB SERIES



Economic, multi-applications, high stiffness, high efficiency, low noise.

经济合理，灵活应用，高刚性，高效率，低噪音



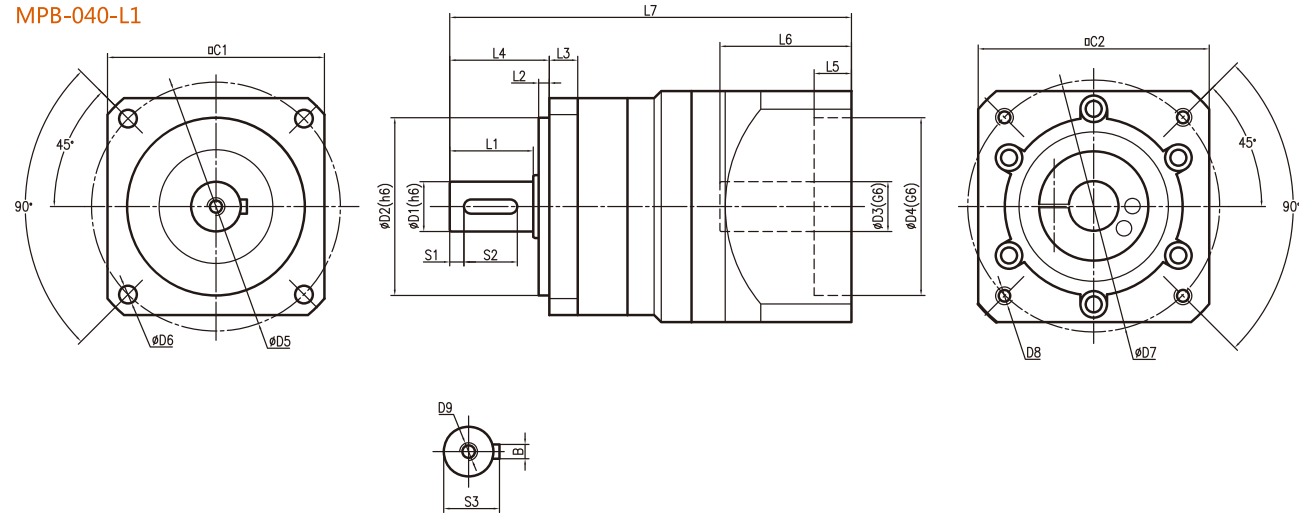
**造型数据:
Selection data:**

扭矩 (Nm)	8-340
速比	3-100
背隙 (arcmin)	5-8
最大工作温度 (°C)	90
噪音 (dB)	64-77

Nominal output torque (Nm)	8-340
Reduction ratio	3-100
Backlash (arcmin)	5-8
Max.working temperature (°C)	90
Noise (dB)	64-77

Planetary Gearbox

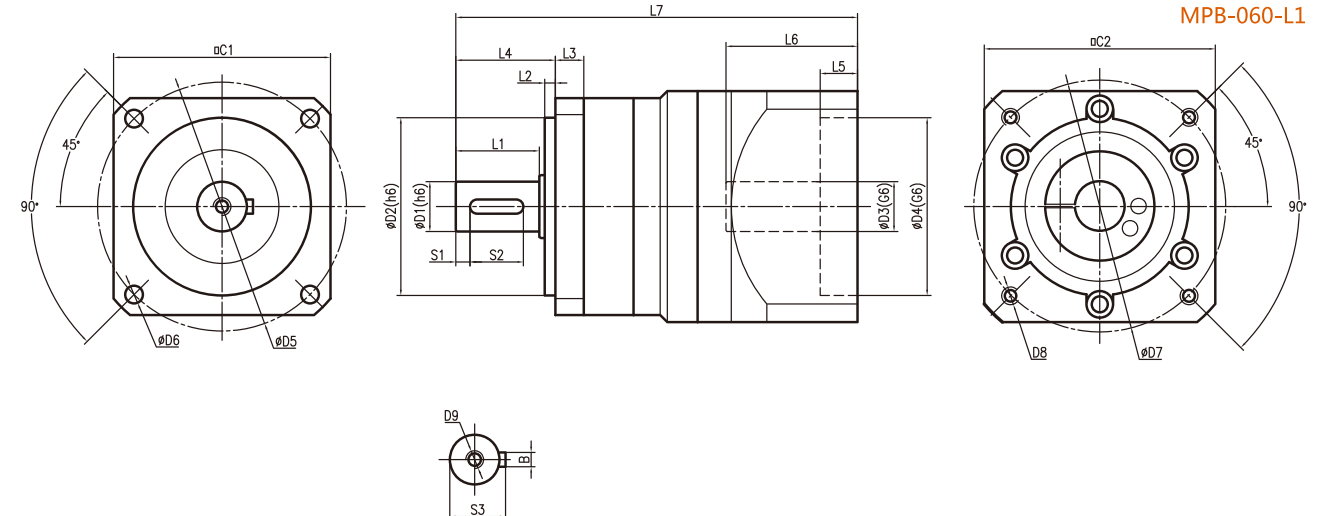
Drawing / Size



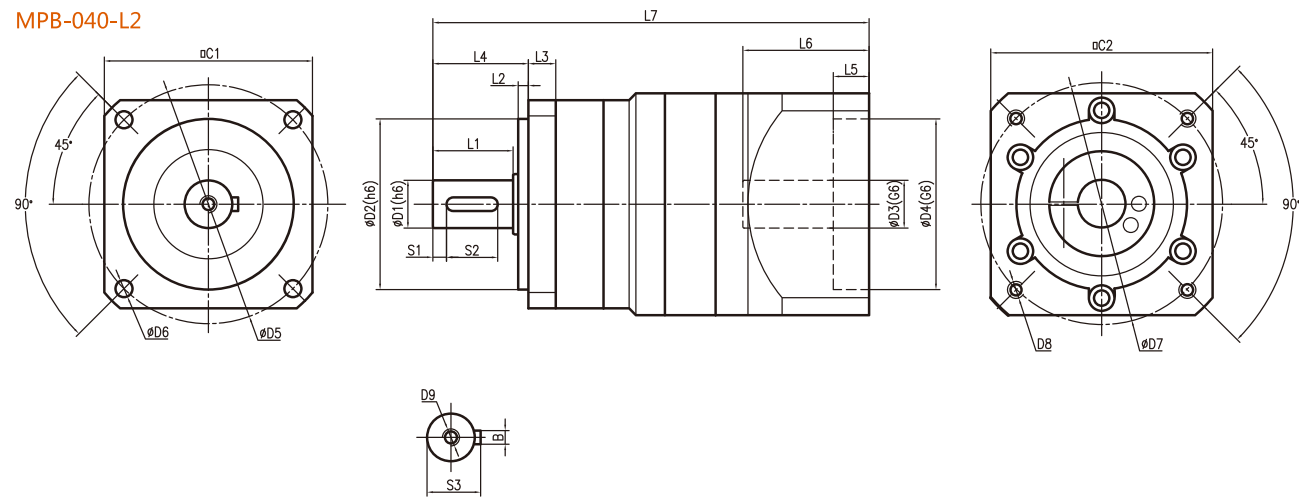
Flange	D1	D2	D3*	D4*	D5	D6	D7*	D8*	D9	L1	L2	L3	L4	L5*	L6*	L7*	C1	C2*	S1	S2	S3	B
Type I	Φ12	Φ35	Φ8	Φ30	Φ48	4-Φ3.4	Φ46	4-M4X10	M4X10	18	3	4	22.5	5	32	88	45	40	2	14	13.5	4
Type II	Φ12	Φ35	Φ11	Φ50	Φ48	4-Φ3.4	Φ70	4-M4X10	M4X10	18	3	4	22.5	5	32	88	45	60	2	14	13.5	4

Planetary Gearbox

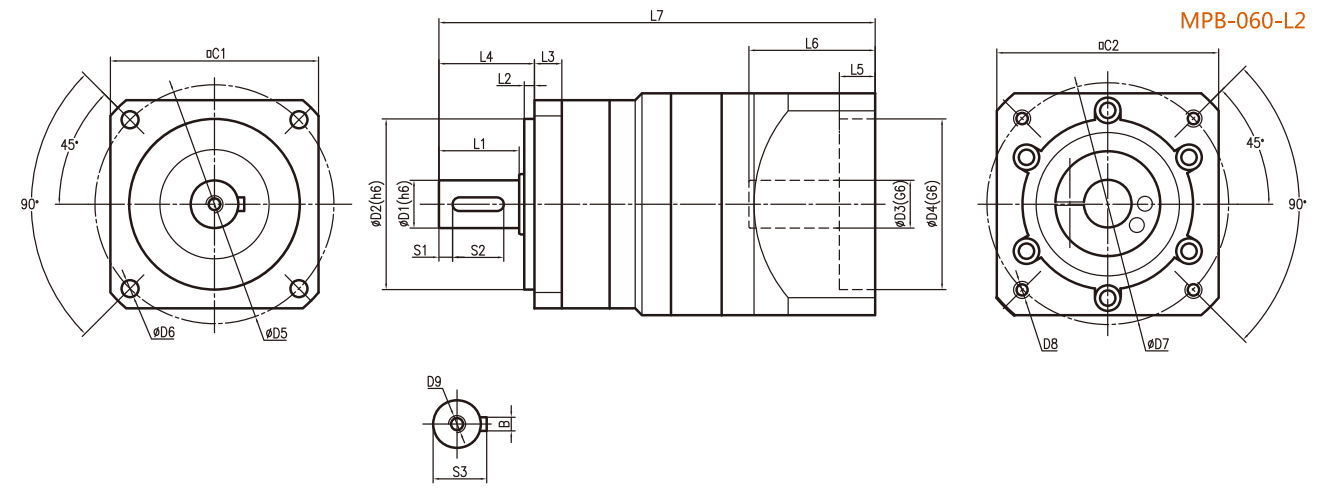
Drawing / Size



Flange	D1	D2	D3*	D4*	D5	D6	D7*	D8*	D9	L1	L2	L3	L4	L5*	L6*	L7*	C1	C2*	S1	S2	S3	B
Type I	Φ14	Φ50	Φ11	Φ50	Φ70	4-Φ5	Φ70	4-M4X10	M5X13	23.5	3	8	28	10.5	37	113	61	65	4	15	15.7	4
Type II	Φ14	Φ50	Φ14	Φ50	Φ70	4-Φ5	Φ70	4-M4X10	M5X13	23.5	3	8	28	10.5	37	113	61	65	4	15	15.7	4



Flange	D1	D2	D3*	D4*	D5	D6	D7*	D8*	D9	L1	L2	L3	L4	L5*	L6*	L7*	C1	C2*	S1	S2	S3	B
Type I	Φ12	Φ35	Φ8	Φ30	Φ48	4-Φ3.4	Φ46	4-M4X10	M4X10	18	3	4	22.5	5	32	104.5	45	40	2	14	13.5	4
Type II	Φ12	Φ35	Φ8	Φ30	Φ48	4-Φ3.4	Φ45	4-M3X8	M4X10	18	3	4	22.5	5	32	104.5	45	40	2	14	13.5	4



Flange	D1	D2	D3*	D4*	D5	D6	D7*	D8*	D9	L1	L2	L3	L4	L5*	L6*	L7*	C1	C2*	S1	S2	S3	B
Type I	Φ14	Φ50	Φ8	Φ30	Φ70	4-Φ5	Φ45	4-M3X8	M5X13	23.5	3	8	28	10.5	37	133	61	40	4	15	15.7	4
Type II	Φ14	Φ50	Φ14	Φ50	Φ70	4-Φ5	Φ70	4-M4X10	M5X13	23.5	3	8	28	10.5	37	133	61	65	4	15	15.7	4

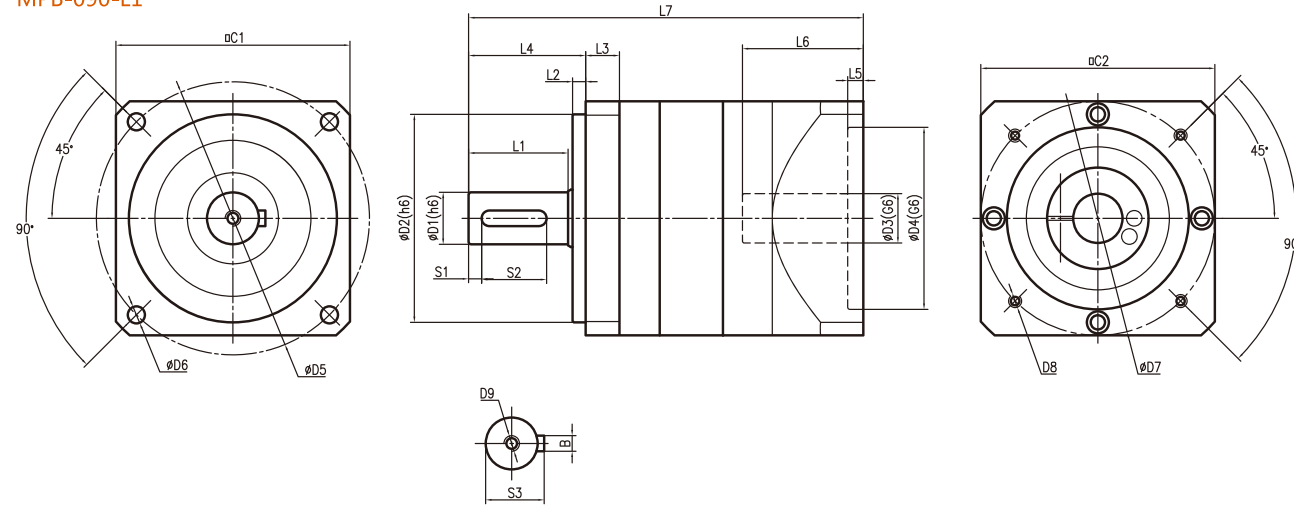
*Dimensions based on servo-motor, please contact us for custom made order.
注有 * 尺寸：代表可根据客户需求定制产品，如有需要，请联系我们！

*Dimensions based on servo-motor, please contact us for custom made order.
注有 * 尺寸：代表可根据客户需求定制产品，如有需要，请联系我们！

Planetary Gearbox

Drawing / Size

MPB-090-L1

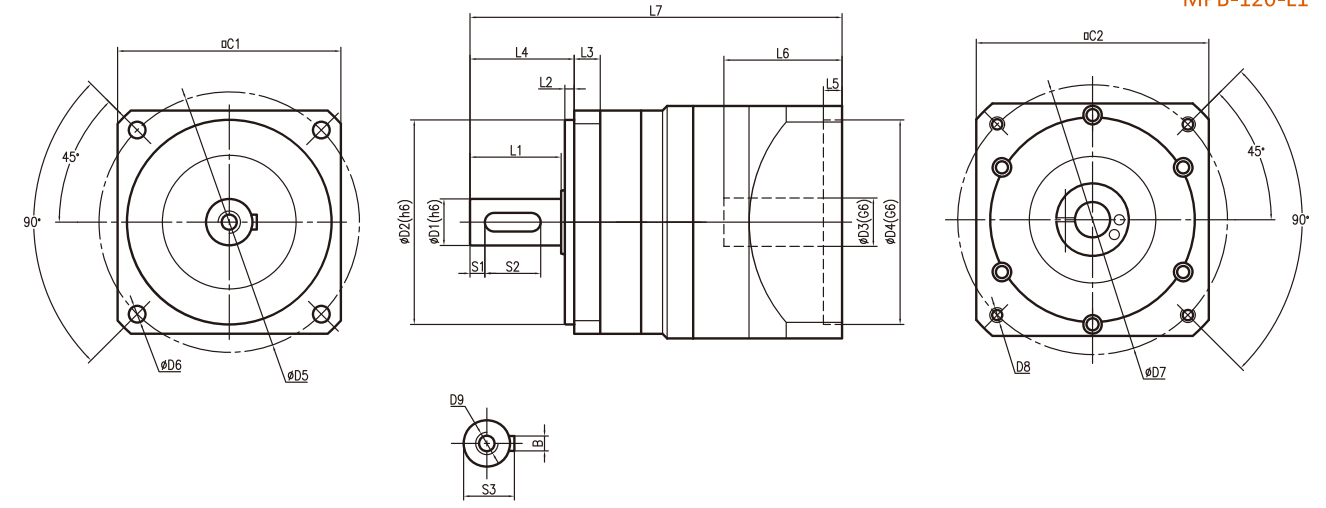


Flange	D1	D2	D3*	D4*	D5	D6	D7*	D8*	D9	L1	L2	L3	L4	L5*	L6*	L7*	C1	C2*	S1	S2	S3	B
Type I	Φ20	Φ80	Φ14	Φ50	Φ105	4-Φ6.6	Φ70	4-M5X12	M6X15	39	5	13	45	10.5	37	148.3	90	65	5	25	22.5	6
Type II	Φ20	Φ80	Φ19	Φ70	Φ105	4-Φ6.6	Φ90	4-M6X15	M6X15	39	5	13	45	6	46.5	151.8	90	90	5	25	22.5	6
Type III	Φ20	Φ80	Φ22	Φ110	Φ105	4-Φ6.6	Φ145	4-M8X15	M6X15	39	5	13	45	6	54.5	159.8	90	130	5	25	22.5	6
Type IV	Φ20	Φ80	Φ24	Φ110	Φ105	4-Φ6.6	Φ145	4-M8X15	M6X15	39	5	13	45	6	54.5	159.8	90	130	5	25	22.5	6

Planetary Gearbox

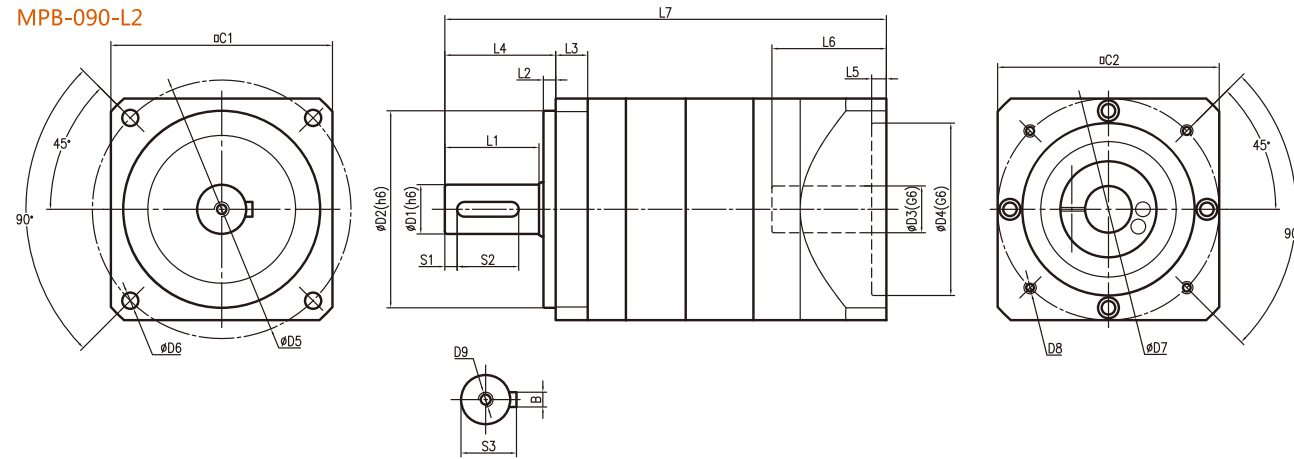
Drawing / Size

MPB-120-L1



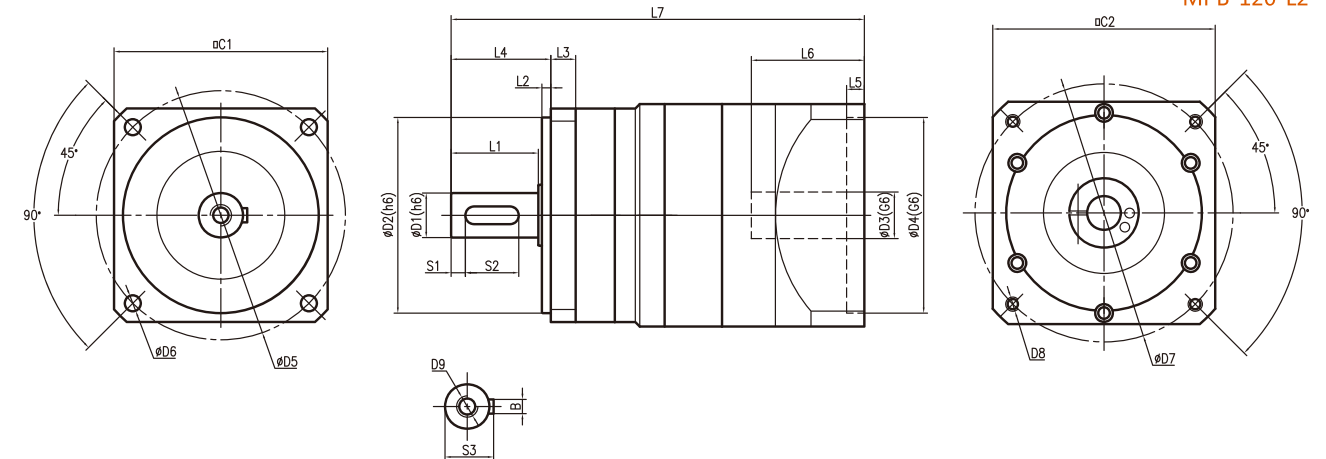
Flange	D1	D2	D3*	D4*	D5	D6	D7*	D8*	D9	L1	L2	L3	L4	L5*	L6*	L7*	C1	C2*	S1	S2	S3	B
Type I	Φ25	Φ110	Φ19	Φ70	Φ140	4-Φ9	Φ90	4-M5X15	M10X24	50	5	14	56	6	38.5	172.5	120	90	8	30	28	8
Type II	Φ25	Φ110	Φ22	Φ110	Φ140	4-Φ9	Φ145	4-M8X15	M10X24	50	5	14	56	11.5	63	192	120	125	8	30	28	8
Type III	Φ25	Φ110	Φ24	Φ110	Φ140	4-Φ9	Φ145	4-M8X15	M10X24	50	5	14	56	11.5	63	192	120	125	8	30	28	8

MPB-090-L2



Flange	D1	D2	D3*	D4*	D5	D6	D7*	D8*	D9	L1	L2	L3	L4	L5*	L6*	L7*	C1	C2*	S1	S2	S3	B
Type I	Φ20	Φ80	Φ14	Φ50	Φ105	4-Φ6.6	Φ70	4-M5X12	M6X15	39	5	13	45	10.5	37	163.3	90	65	5	25	22.5	6
Type II	Φ20	Φ80	Φ19	Φ70	Φ105	4-Φ6.6	Φ90	4-M6X15	M6X15	39	5	13	45	6	46.5	179.3	90	90	5	25	22.5	6
Type III	Φ20	Φ80	Φ22	Φ110	Φ105	4-Φ6.6	Φ145	4-M8X15	M6X15	39	5	13	45	6	54.5	187.3	90	130	5	25	22.5	6
Type IV	Φ20	Φ80	Φ24	Φ110	Φ105	4-Φ6.6	Φ145	4-M8X15	M6X15	39	5	13	45	6	54.5	187.3	90	130	5	25	22.5	6

MPB-120-L2



Flange	D1	D2	D3*	D4*	D5	D6	D7*	D8*	D9	L1	L2	L3	L4	L5*	L6*	L7*	C1	C2*	S1	S2	S3	B
Type I	Φ25	Φ110	Φ19	Φ70	Φ140	4-Φ9	Φ90	4-M5X15	M10X24	50	5	14	56	6	46.5	200.5	120	90	8	30	28	8
Type II	Φ25	Φ110	Φ22	Φ110	Φ140	4-Φ9	Φ145	4-M8X15	M10X24	50	5	14	56	6	63	226	120	125	8	30	28	8
Type III	Φ25	Φ110	Φ24	Φ110	Φ140	4-Φ9	Φ145	4-M8X15	M10X24	50	5	14	56	6	63	226	120	125	8	30	28	8

*Dimensions based on servo-motor, please contact us for custom made order.
注有 * 尺寸：代表可根据客户需求定制产品，如有需要，请联系我们！

*Dimensions based on servo-motor, please contact us for custom made order.
注有 * 尺寸：代表可根据客户需求定制产品，如有需要，请联系我们！

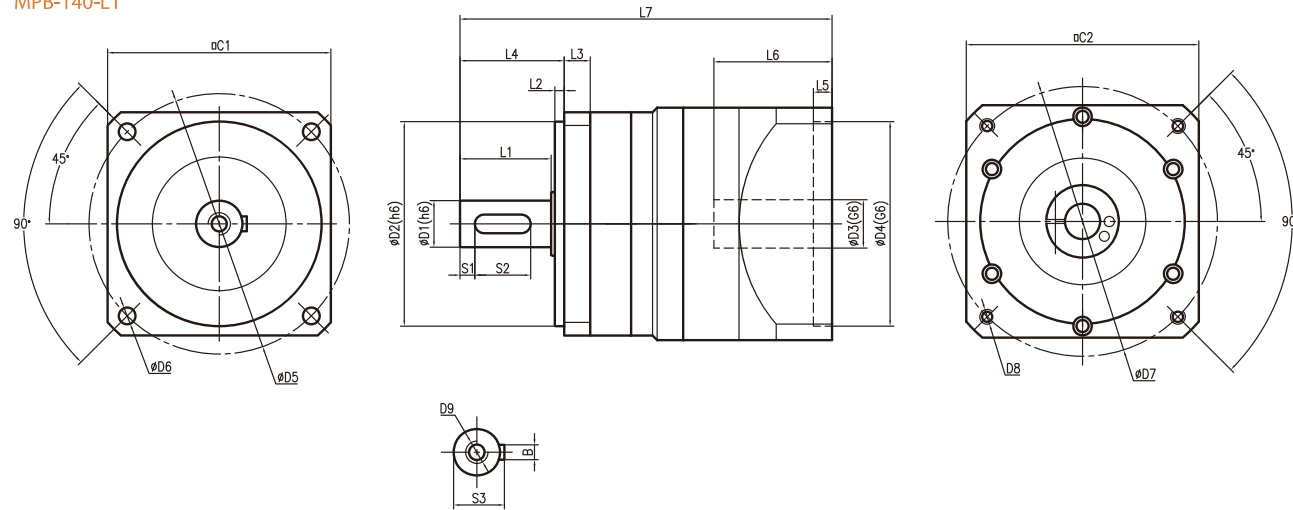
Planetary Gearbox

Drawing / Size

Planetary Gearbox

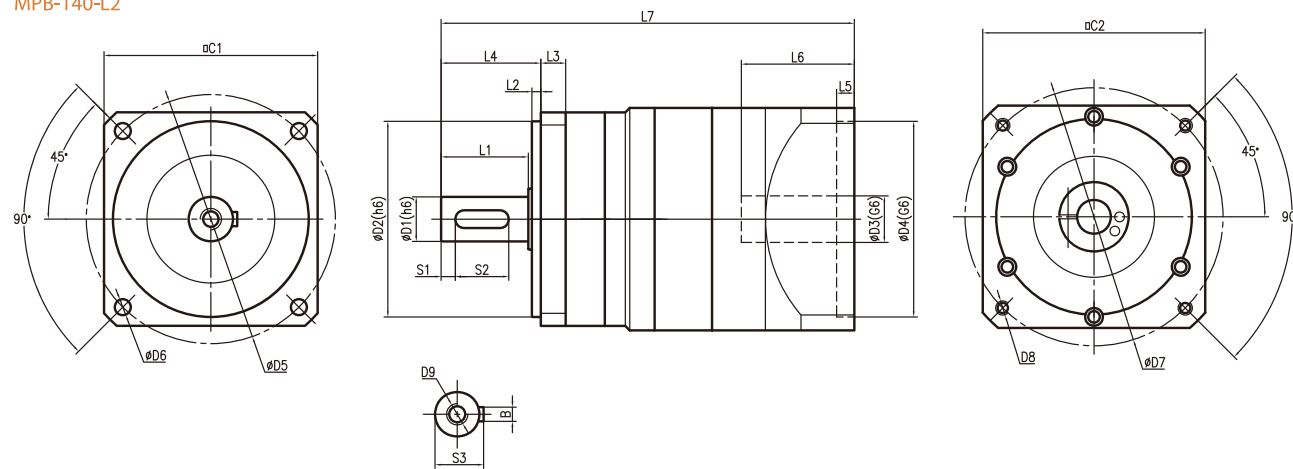
Performance table

MPB-140-L1



Flange	D1	D2	D3*	D4*	D5	D6	D7*	D8*	D9	L1	L2	L3	L4	L5*	L6*	L7*	C1	C2*	S1	S2	S3	B
Type I	Φ40	Φ130	Φ24	Φ110	Φ165	4-Φ11	Φ145	4-M8X15	M16X30	80	5	15	86.5	10	67	237	142	130	10	55	43	12
Type II	Φ40	Φ130	Φ32	Φ1143	Φ165	4-Φ11	Φ145	4-M10X20	M16X30	80	5	15	86.5	10	67	250	142	155	10	55	43	12
Type III	Φ40	Φ130	Φ35	Φ1143	Φ165	4-Φ11	Φ145	4-M12X20	M16X30	80	5	15	86.5	10	80	250	142	180	10	55	43	12

MPB-140-L2



Flange	D1	D2	D3*	D4*	D5	D6	D7*	D8*	D9	L1	L2	L3	L4	L5*	L6*	L7*	C1	C2*	S1	S2	S3	B
Type I	Φ40	Φ130	Φ24	Φ110	Φ165	4-Φ11	Φ145	4-M8X15	M16X30	80	5	15	86.5	10	60	274	142	125	10	55	43	12
Type II	Φ40	Φ130	Φ32	Φ1143	Φ165	4-Φ11	Φ145	4-M10X20	M16X30	80	5	15	86.5	10	67	289	142	155	10	55	43	12
Type III	Φ40	Φ130	Φ35	Φ1143	Φ165	4-Φ11	Φ145	4-M12X20	M16X30	80	5	15	86.5	10	80	292	142	180	10	55	43	12

*Dimensions based on servo-motor, please contact us for custom made order.
注有 * 尺寸：代表可根据客户需求定制产品，如有需要，请联系我们！

MPB-040																	
Symb.	i	T _{2N}	T _{2Not}	n _{1N}	n _{1Max}	j _t	C _{2t}	F _{2RM}	F _{2AM}	J ₁	η	L _h	T	Lub	PC	MP	dB
Unit		N _m	N _m	rpm	rpm	arcmin	Nm/arcmin	N	N	kgcm ²	%	h	°C				
I STAGE	3	8								0.031	≥95	> 20000	-15~45	Life Lubrication 终身润滑	IP65	Any 任何方向	≤64
	4	10															
	5	10															
	6	10															
	7	10															
	8	10															
	9	8															
II STAGE	10	8	2XT _{2N}	5000	8500	≤5	1.1	610	450	0.016	≥90	> 20000	-15~45	Life Lubrication 终身润滑	IP65	Any 任何方向	≤64
	15	8															
	20	10															
	25	10															
	50	10															
	80	10															
	100	8															

MPB-060																	
Symb.	i	T _{2N}	T _{2Not}	n _{1N}	n _{1Max}	j _t	C _{2t}	F _{2RM}	F _{2AM}	J ₁	η	L _h	T	Lub	PC	MP	dB
Unit		N _m	N _m	rpm	rpm	arcmin	Nm/arcmin	N	N	kgcm ²	%	h	°C				
I STAGE	3	20								0.135	≥95	> 20000	-15~45	Life Lubrication 终身润滑	IP65	Any 任何方向	≤68
	4	30															
	5	35															
	6	35															
	7	35															
	8	35															
	9	20															
II STAGE	10	20	2XT _{2N}	3700	6000	≤5	2.5	950	750	0.063	≥90	> 20000	-15~45	Life Lubrication 终身润滑	IP65	Any 任何方向	≤68
	15	20															
	20	30															
	25	35															
	50	35															
	80	35															
	100	20															

Planetary Gearbox

Performance table

Planetary Gearbox

Performance table

MPB-090																	
Symb.	i	T _{2N}	T _{2Not}	n _{1N}	n _{1Max}	j _t	C _{2t}	F _{2RMax}	F _{2AMax}	J ₁	η	L _h	T	Lub	PC	MP	dB
Unit		N _m	N _m	rpm	rpm	arcmin	Nm/arcmin	N	N	kgcm ²	%	h	°C				
I STAGE	3	55	2XT _{2N}	3400	6000	≤5	6.5	1700	1600	0.77	≥95	>20000	-15~45	Life Lubrication 终身润滑	IP65	Any 任何方向	≤72
	4	60								0.52							
	5	75								0.45							
	6	75								0.45							
	7	75								0.39							
	8	75								0.39							
	9	55								0.45							
II STAGE	10	55	2XT _{2N}	3400	6000	≤8	6.5	1700	1600	0.74	≥90	>20000	-15~45	Life Lubrication 终身润滑	IP65	Any 任何方向	≤72
	15	55								0.71							
	20	75								0.44							
	25	75								0.44							
	50	75								0.51							
	80	75								0.50							
	100	55								0.44							

MPB-140																	
Symb.	i	T _{2N}	T _{2Not}	n _{1N}	n _{1Max}	j _t	C _{2t}	F _{2RMax}	F _{2AMax}	J ₁	η	L _h	T	Lub	PC	MP	dB
Unit		N _m	N _m	rpm	rpm	arcmin	Nm/arcmin	N	N	kgcm ²	%	h	°C				
I STAGE	3	240	2XT _{2N}	2300	4000	≤5	41	4000	3600	12.14	≥95	>20000	-15~45	Life Lubrication 终身润滑	IP65	Any 任何方向	≤77
	4	260								7.78							
	5	340								6.07							
	6	340								6.07							
	7	340								4.63							
	8	340								4.63							
	9	240								6.12							
II STAGE	10	240	2XT _{2N}	2300	4000	≤8	41	4000	3600	12.37	≥90	>20000	-15~45	Life Lubrication 终身润滑	IP65	Any 任何方向	≤77
	15	260								12.35							
	20	340								6.65							
	25	340								5.81							
	50	340								6.07							
	80	340								6.65							
	100	240								5.81							

MPB-120																	
Symb.	i	T _{2N}	T _{2Not}	n _{1N}	n _{1Max}	j _t	C _{2t}	F _{2RMax}	F _{2AMax}	J ₁	η	L _h	T	Lub	PC	MP	dB
Unit		N _m	N _m	rpm	rpm	arcmin	Nm/arcmin	N	N	kgcm ²	%	h	°C				
I STAGE	3	140	2XT _{2N}	2600	4800	≤5	13	2400	2100	2.63	≥95	>20000	-15~45	Life Lubrication 终身润滑	IP65	Any 任何方向	≤75
	4	180								1.79							
	5	180								1.53							
	6	180								1.53							
	7	180								1.32							
	8	180								1.32							
	9	180								1.32							
II STAGE	10	140	2XT _{2N}	2600	4800	≤8	13	2400	2100	1.53	≥90	>20000	-15~45	Life Lubrication 终身润滑	IP65	Any 任何方向	≤75
	15	140								1.75							
	20	180								1.50							
	25	180								1.49							
	50	180								1.53							
	80	180								1.50							
	100	140								1.49							

Planetary Gearbox Efficiency

Efficiency

The efficiency of planetary reducers varies with several parameters such as ratio, input speed, temperature, lubrication conditions, etc.

The efficiency was measured under the following working conditions:

Input speed (rpm)	3000
Operating temperature (°C)	25
Lubricant	Standard

效率特性

减速机的效率一般因减速比、输入转速、负载转速、温度、润滑条件而异。在下列测定条件下，各系列的效率如下所示。此外，图表的数值均为平均值。

输入转速 (rpm)	3000
环境温度 (°C)	25
润滑剂	标准润滑剂

Planetary Gearbox Efficiency chat

